



Ultra-Reliable MPC563xM for Automotive and Industrial Engine Management

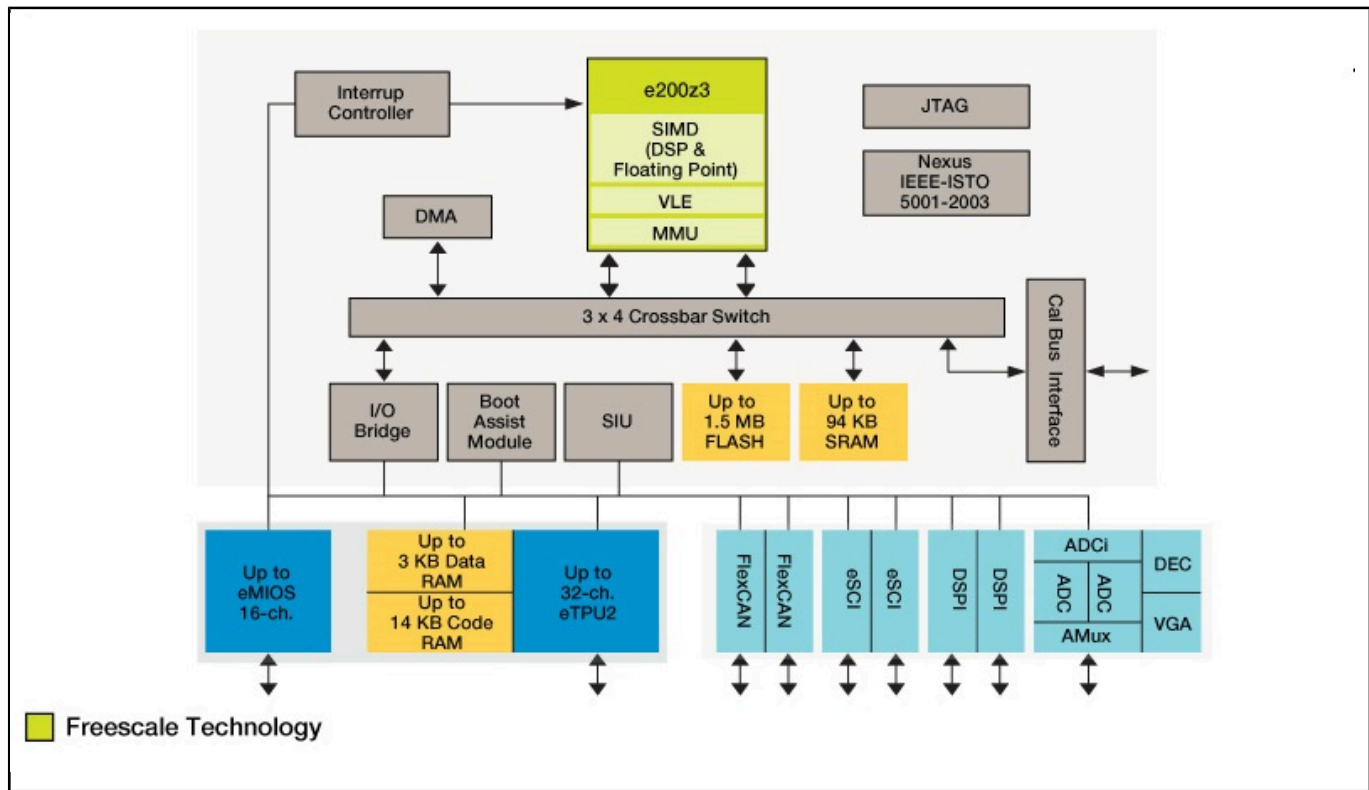
MPC563xM

Last Updated: May 30, 2023

The MPC563xM MCU offers enhanced powertrain functionality for entry-level automotive and industrial applications. It also addresses the aggressive cost constraints of engine and transmission suppliers focused on emerging markets.

- Supports engines up to four cylinders
- Enables strict but affordable emission control and allows a three to five percent improvement of economy and power
- Easy to assemble and inspect (infrared and X-ray technology not required)
- Helps reduce costs through single linear power supply

MPC563XM Microcontroller Block Diagram Block Diagram



View additional information for [Ultra-Reliable MPC563xM for Automotive and Industrial Engine Management](#).

Note: The information on this document is subject to change without notice.

www.nxp.com

NXP and the NXP logo are trademarks of NXP B.V. All other product or service names are the property of their respective owners. The related technology may be protected by any or all of patents, copyrights, designs and trade secrets. All rights reserved. © 2023 NXP B.V.