



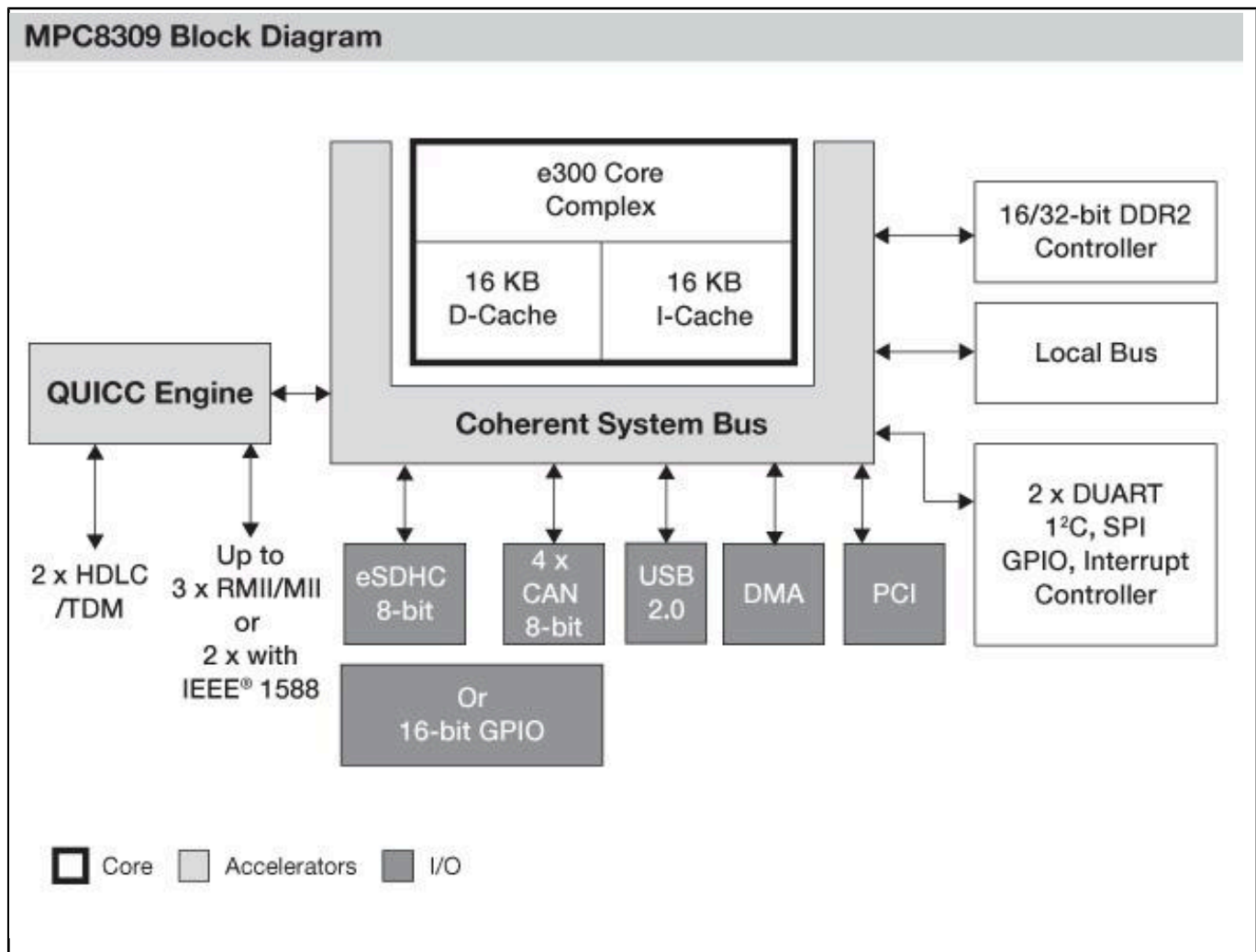
Low-Power PowerQUICC® II Pro Processor with DDR2, eSDHC, 128- ch. HDLC/TDM, 10/100 Ethernet, USB, IEEE® 1588

MPC8309

Last Updated: Apr 8, 2022

The MPC8309 PowerQUICC® II Pro is a member of the MPC830x family of cost-effective network communication processors that meet the requirements of multi-protocol control applications. It provides better CPU performance, additional functionality and faster interfaces than current PowerQUICC II processors while addressing important time to market, price, power consumption and board real estate requirements.

Freescale PowerQUICC MPC8309 Communications Processor Block Diagram Block Diagram



View additional information for [Low-Power PowerQUICC® II Pro Processor with DDR2, eSDHC, 128-ch. HDLC/TDM, 10/100 Ethernet, USB, IEEE® 1588](#).

Note: The information on this document is subject to change without notice.

www.nxp.com

NXP and the NXP logo are trademarks of NXP B.V. All other product or service names are the property of their respective owners. The related technology may be protected by any or all of patents, copyrights, designs and trade secrets. All rights reserved. © 2022 NXP B.V.