



# Murata NXP 88W8997 Shielded Ultra Small Dual band Wi-Fi® 11a/b/g/n/ac 2x2 MIMO + Bluetooth® 5.2 Module

## MURATA-1YM-MODULE

Last Updated: Dec 1, 2022

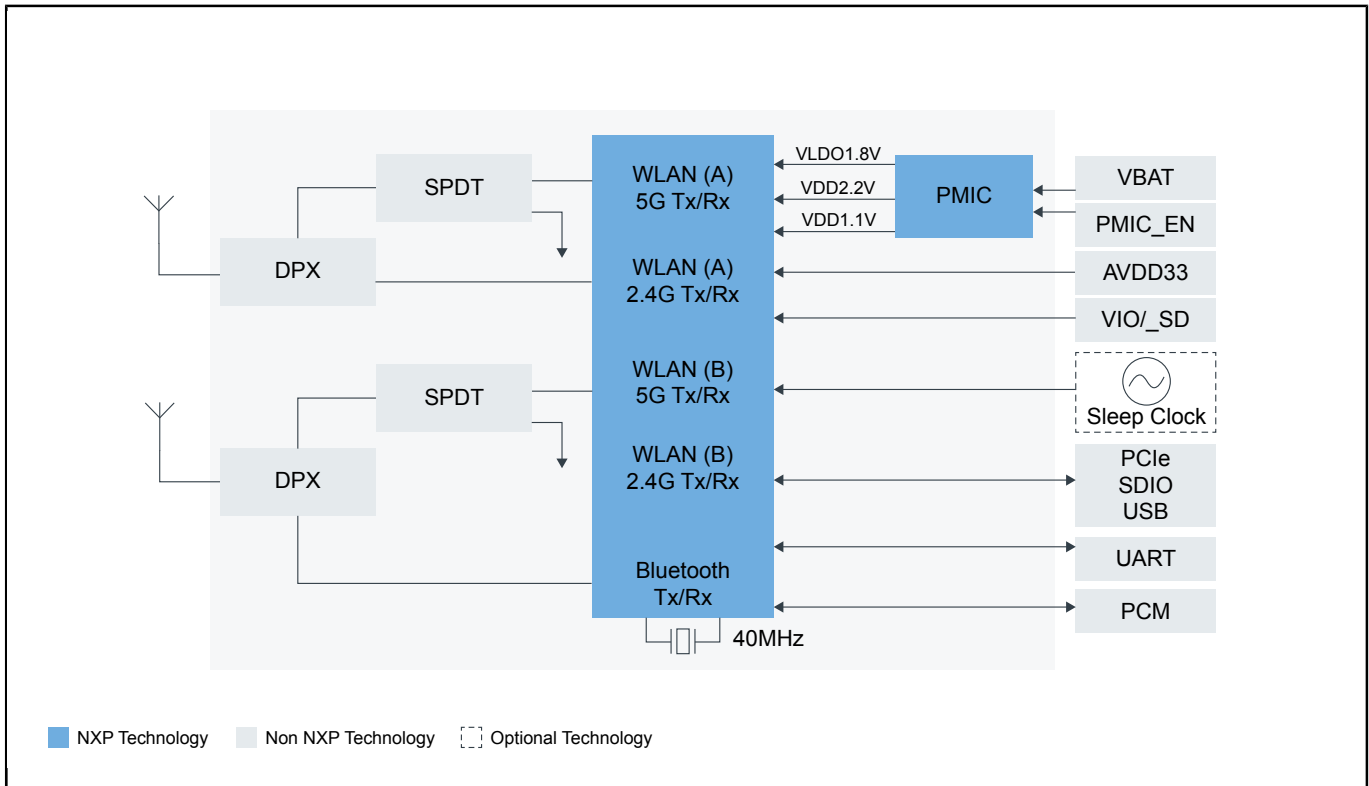
Type 1YM is a small and very high performance module based on NXP 88W8997 combo chipset, which supports Wi-Fi® 802.11a/b/g/n/ac 2x2 MIMO + Bluetooth® 5.2 BR/EDR/LE up to 866Mbps PHY data rate on Wi-Fi and 3Mbps PHY data rate on Bluetooth. The WLAN section supports PCIe v3.0 Gen 1/Gen 2 rate (2.5/5 Gbit/s), and SDIO 3.0 interfaces. The Bluetooth section supports high-speed 4-wire UART interface and PCM for audio data.

The 88W8997 implements highly sophisticated enhanced collaborative coexistence hardware mechanisms and algorithms, which ensure that WLAN and Bluetooth collaboration is optimized for maximum performance.

In IEEE 802.11ac mode, the WLAN operation supports rates of MCS0 - MCS9 (up to 256 QAM) in 20MHz, 40MHz and 80MHz channels for data rate up to 866Mbps.

Type 1YM module is packaged in an impressively small form factor that facilitates integration into size- and power-sensitive applications such as IoT applications, handheld wireless system, gateway and more.

## Type 1YM Module Block Diagram Block Diagram



View additional information for [Murata NXP 88W8997 Shielded Ultra Small Dual band Wi-Fi® 11a/b/g/n/ac 2x2 MIMO + Bluetooth® 5.2 Module](#).

**Note:** The information on this document is subject to change without notice.

[www.nxp.com](http://www.nxp.com)

NXP and the NXP logo are trademarks of NXP B.V. All other product or service names are the property of their respective owners. The related technology may be protected by any or all of patents, copyrights, designs and trade secrets. All rights reserved. © 2023 NXP B.V.