



# 15+ Watt Wireless Charging Transmitter ICs for Automotive Applications

## MWCT2xx2A

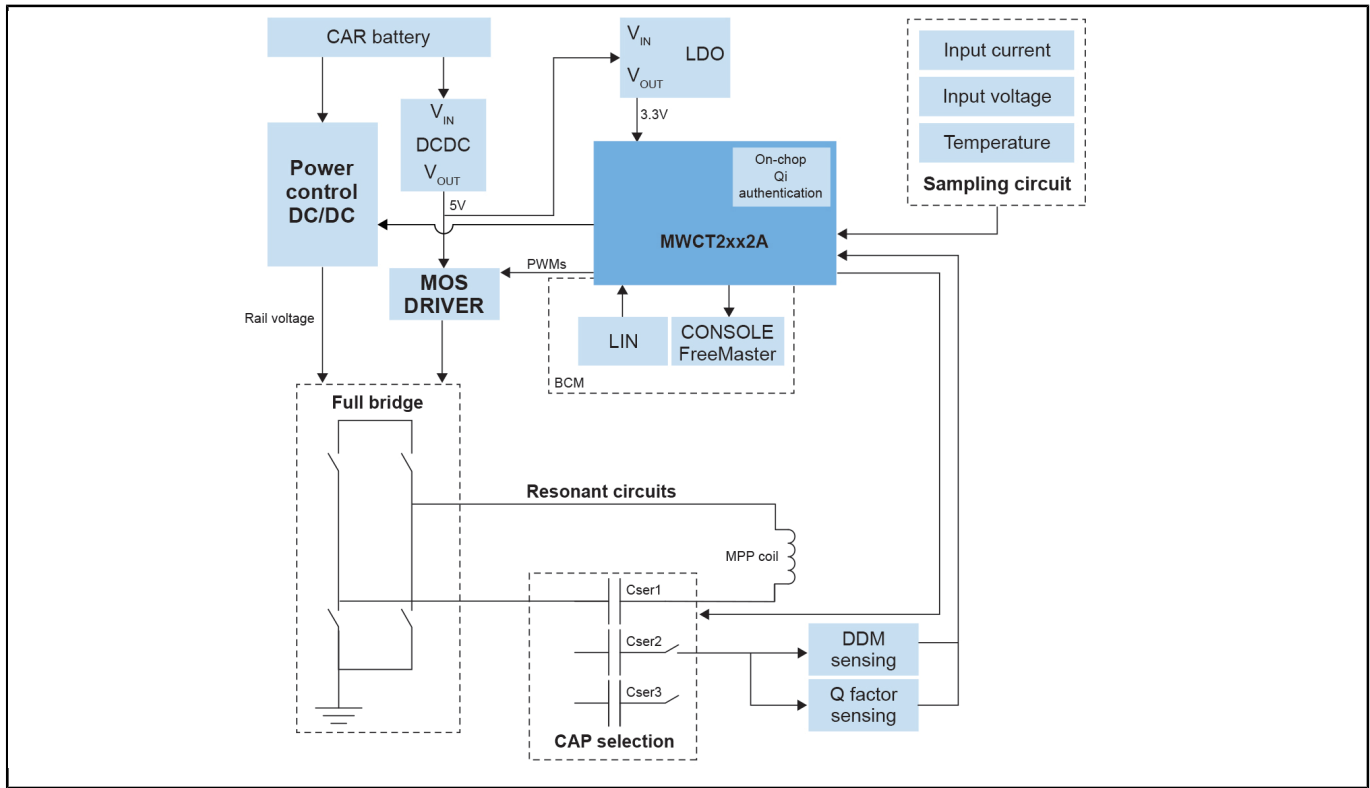
### Preproduction

This page contains information on a preproduction product. Specifications and information herein are subject to change without notice. For additional information [contact support](#) or your sales representative.

Last Updated: Feb 26, 2025

The MWCT2xx2A family comprises the 2nd generation of NXP wireless charging transmitter analog performance ICs with updated peripherals and optimized power consumption. This series features automotive wireless power transmitter microcontrollers that integrate all required functions for Wireless Power Consortium (WPC) "Qi" compliant wireless power transmitter designs for automotive/industrial/consumer applications.

## MWCT2xx2A Block Diagram



View additional information for [15+ Watt Wireless Charging Transmitter ICs for Automotive Applications](#).

**Note:** The information on this document is subject to change without notice.

[www.nxp.com](http://www.nxp.com)

NXP and the NXP logo are trademarks of NXP B.V. All other product or service names are the property of their respective owners. The related technology may be protected by any or all of patents, copyrights, designs and trade secrets. All rights reserved. © 2025 NXP B.V.