



Automotive Qualified NFC Controller with NCI Interface

NCF3340AHN

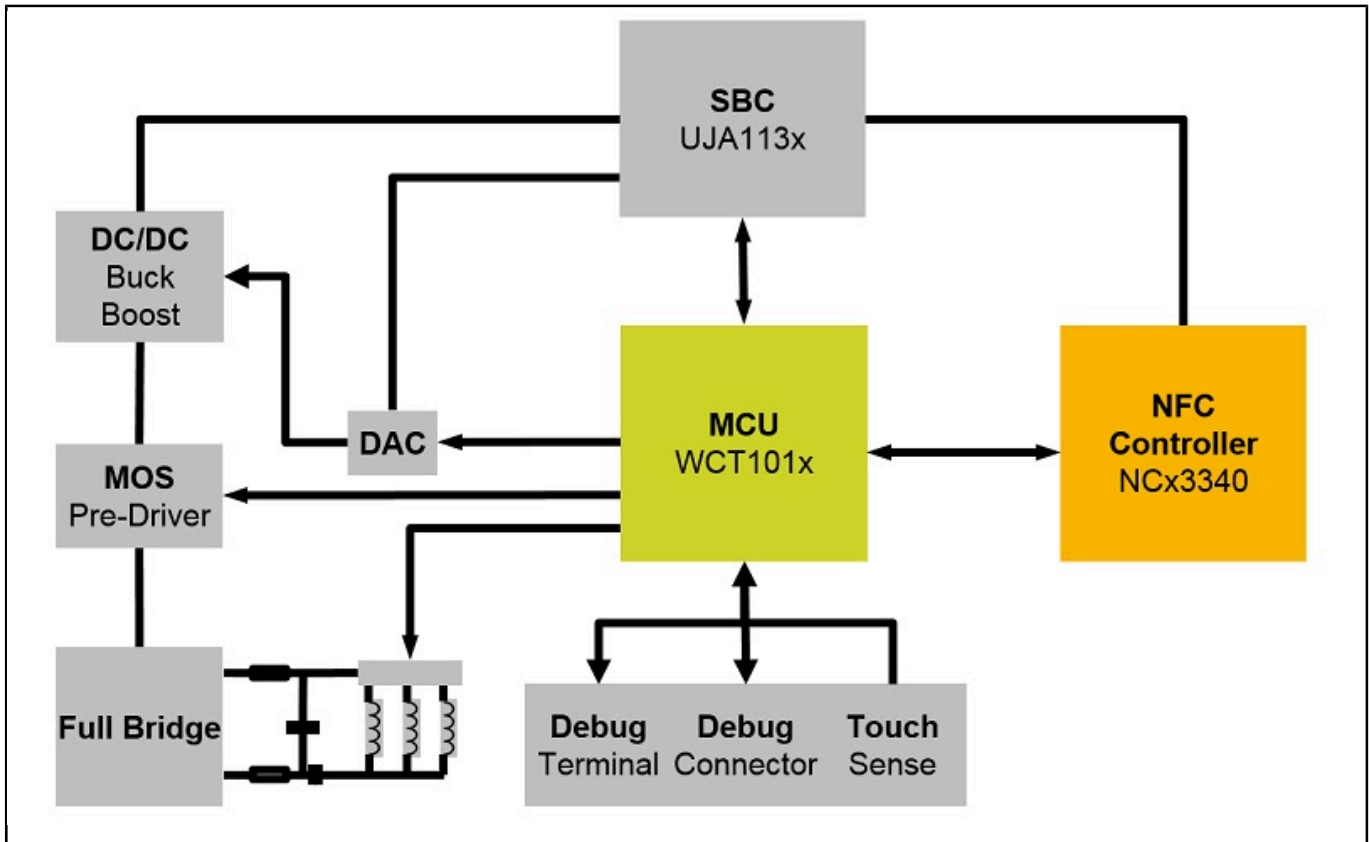
Last Updated: Mar 18, 2024

The NXP NCx3340 is ideally suited for easy integration of NFC technology into cars because it provides an NCI interface, a small PCB footprint, a small external BOM, and the capability to achieve full NFC Forum compliance with a small form-factor antenna.

It uses an optimized architecture for low power consumption and integrates a highly efficient power management unit. It supports high output power by supplying the transmitter output stage up to 5.5 V. This enables a large operating distance in Reader/Writer mode.

The contactless front-end has also high sensitivity and supports active load modulation mode. The device ships in a 40-pin HVQFN package with wettable flanks.

NFC + Wireless Charging Application Block Diagram Block Diagram



View additional information for [Automotive Qualified NFC Controller with NCI Interface](#).

Note: The information on this document is subject to change without notice.

www.nxp.com

NXP and the NXP logo are trademarks of NXP B.V. All other product or service names are the property of their respective owners. The related technology may be protected by any or all of patents, copyrights, designs and trade secrets. All rights reserved. © 2024 NXP B.V.