



Trimension® NCJ29D6: Secure UWB IC for Automotive Ranging and Radar Applications

NCJ29D6

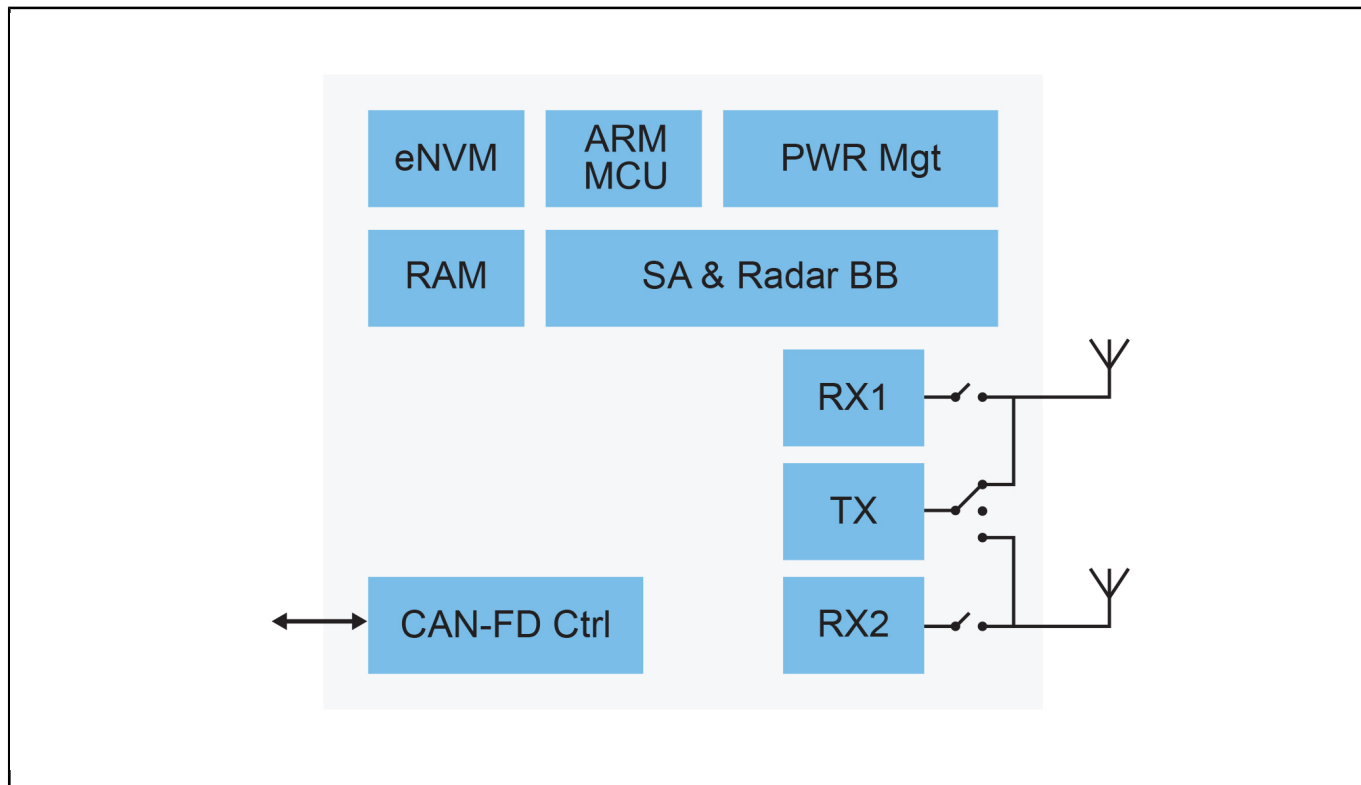
Active

Last Updated: Apr 15, 2026

Trimension NCJ29D6 is a fully integrated single chip impulse radio Ultra-Wideband low-energy transceiver IC compliant to IEEE 802.15.4 HRP UWB PHY and IEEE 802.15.4z BPRF/HPRF UWB PHY. It is designed for secure ranging applications and radar applications in an automotive environment.

Besides supporting Digital Key functionality for secure truly hands-free car access, the NCJ29D6 enhances this feature with radar capabilities. This enables applications such as Child Presence Detection (CPD) and kick-sensing for easy trunk access. With combined ranging and radar support, the NCJ29D6 maximizes system value and reduces system cost.

NCJ29D6 Block Diagram



View additional information for [Trimension® NCJ29D6: Secure UWB IC for Automotive Ranging and Radar Applications](#).

Note: The information on this document is subject to change without notice.

www.nxp.com

NXP and the NXP logo are trademarks of NXP B.V. All other product or service names are the property of their respective owners. The related technology may be protected by any or all of patents, copyrights, designs and trade secrets. All rights reserved. © 2026 NXP B.V.