



Automotive Secure Element with Passive NFC, I2C and SPI Interfaces

NCJ37x

Last Updated: May 18, 2023

[Request an NCJ37x Secure Element](#)

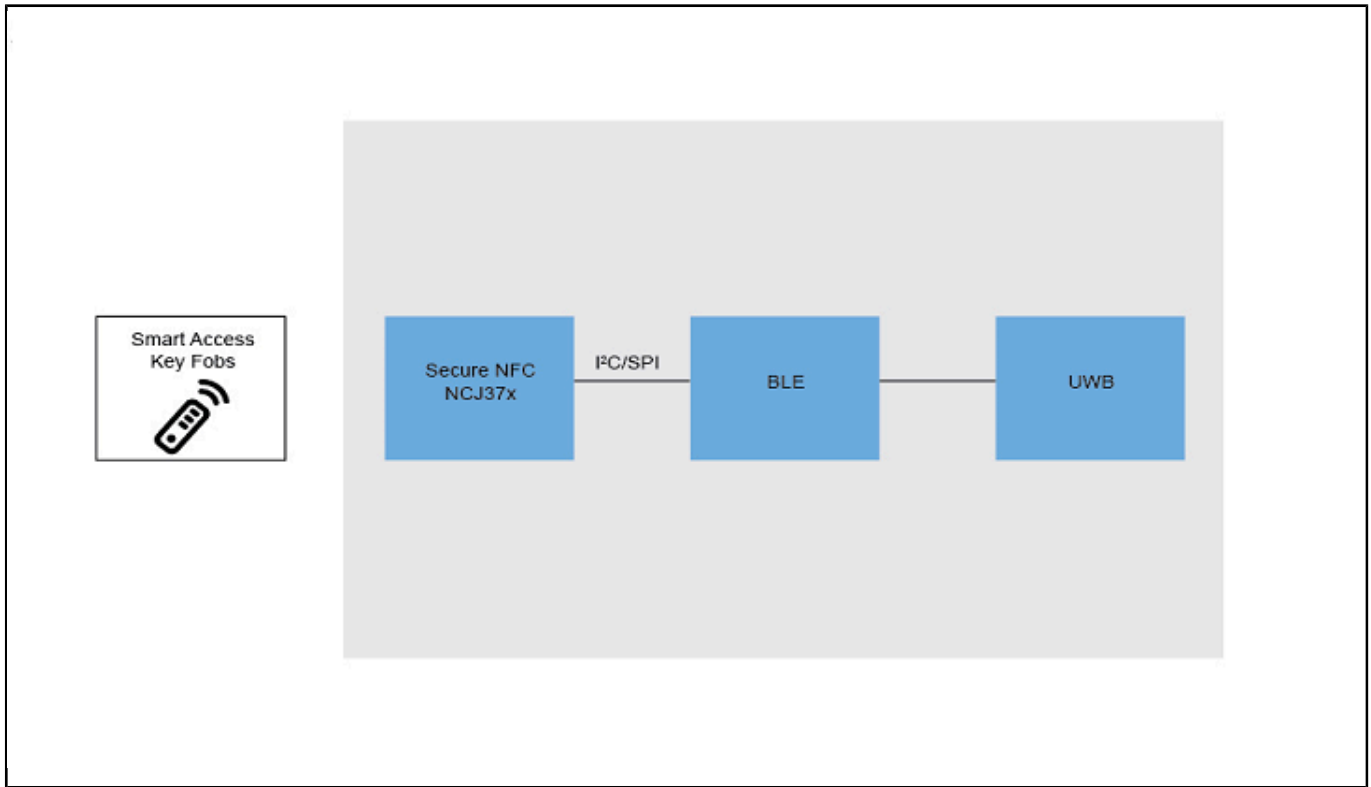
The NCJ37x family is an automotive-qualified secure microcontroller with advanced cryptographic accelerators and physical and electrical attack resistance.

The powered-by-the-field ISO 14443-4 interface and high-secure design of NXP's NCJ37 Automotive Secure Element makes the device a perfect fit for the next generation key fob combining SecureNFC, BLE and UWB technologies.

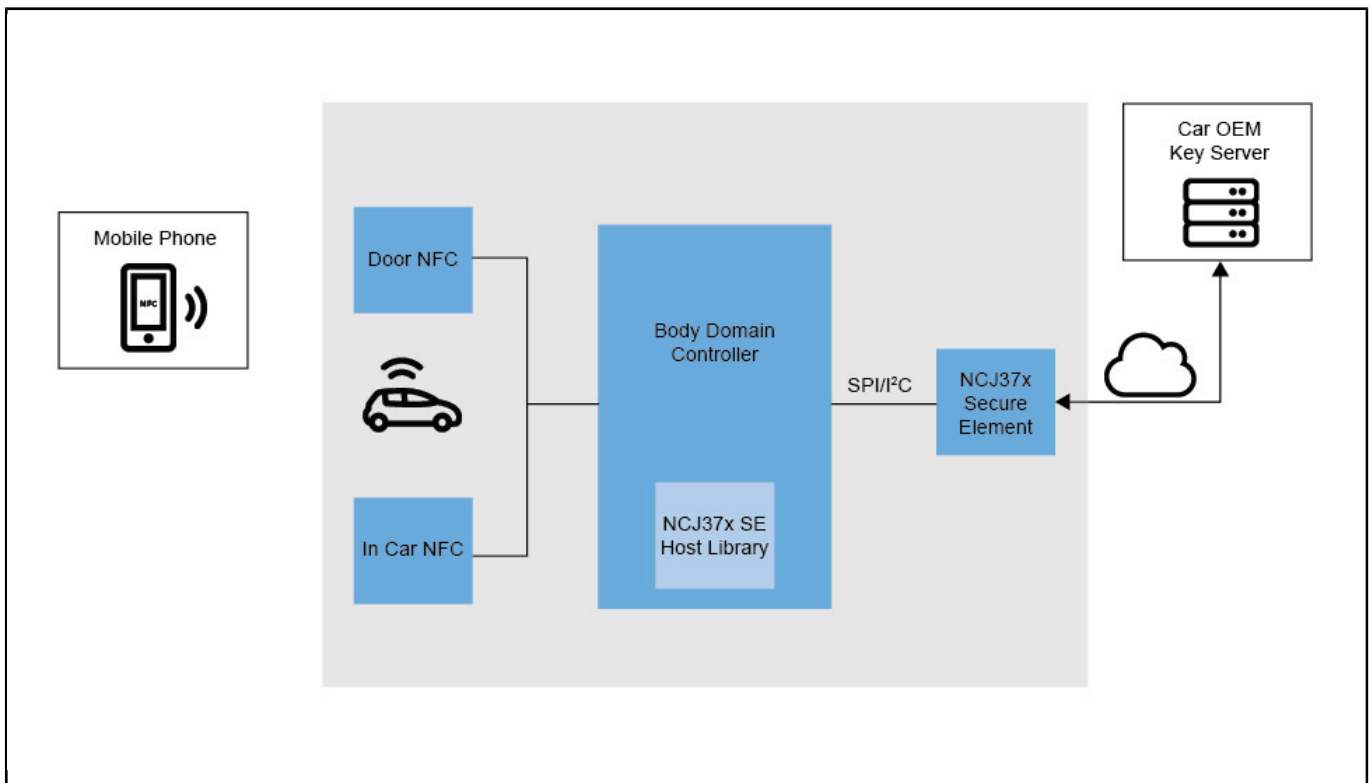
Together with NCJ37x, NXP is offering a CCC DK compatible key fob JavaCard applet to process the digital key management within the key fob.

For additional information and sample availability, contact your local [Sales Office](#).

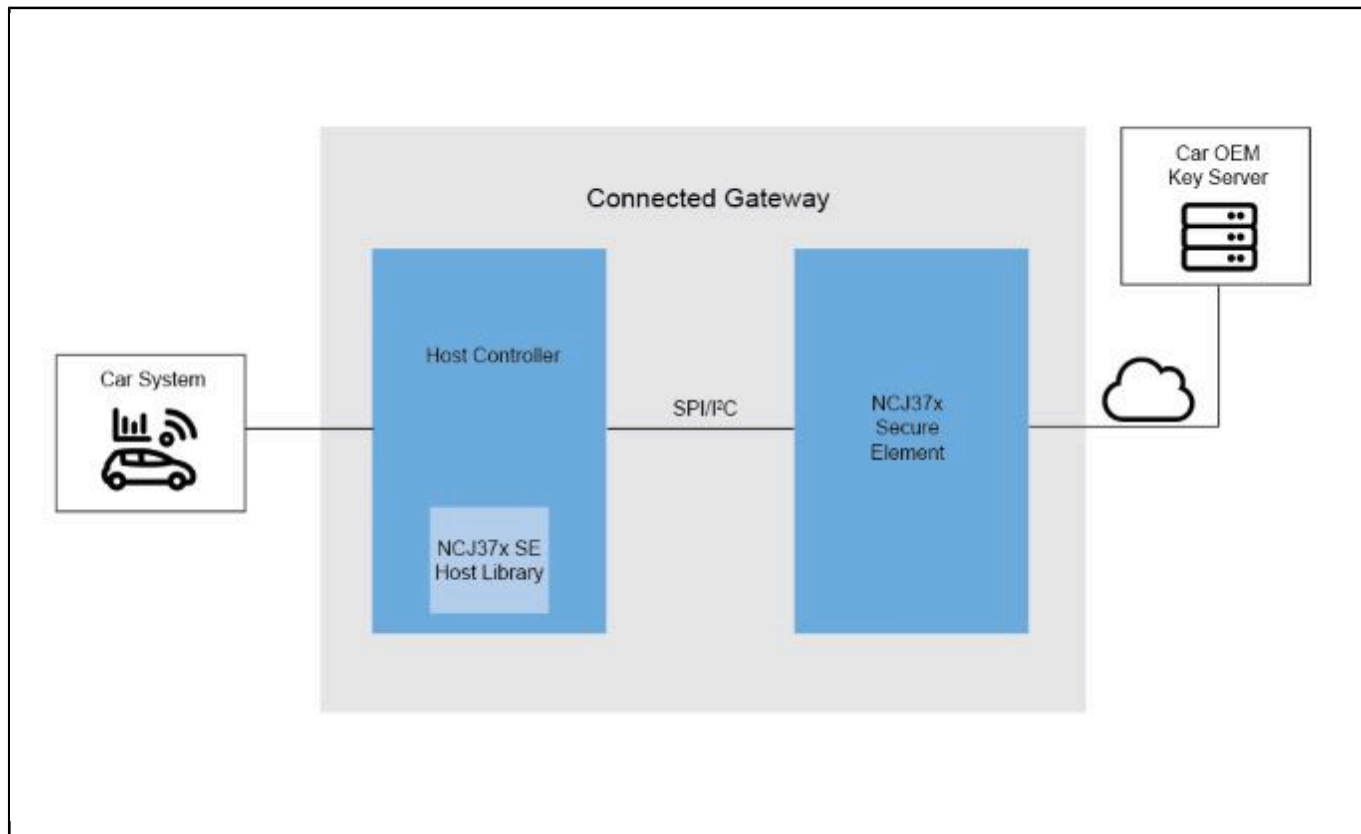
Smart Fob Block Diagram Block Diagram



Smart Access Vehicle Diagram Block Diagram



Connected Car Block Diagram Block Diagram



View additional information for [Automotive Secure Element with Passive NFC, I2C and SPI Interfaces](#).

Note: The information on this document is subject to change without notice.

www.nxp.com

NXP and the NXP logo are trademarks of NXP B.V. All other product or service names are the property of their respective owners. The related technology may be protected by any or all of patents, copyrights, designs and trade secrets. All rights reserved. © 2023 NXP B.V.