



Audio Jack Detection and Configuration with False Detection Prevention

NCX8193GU

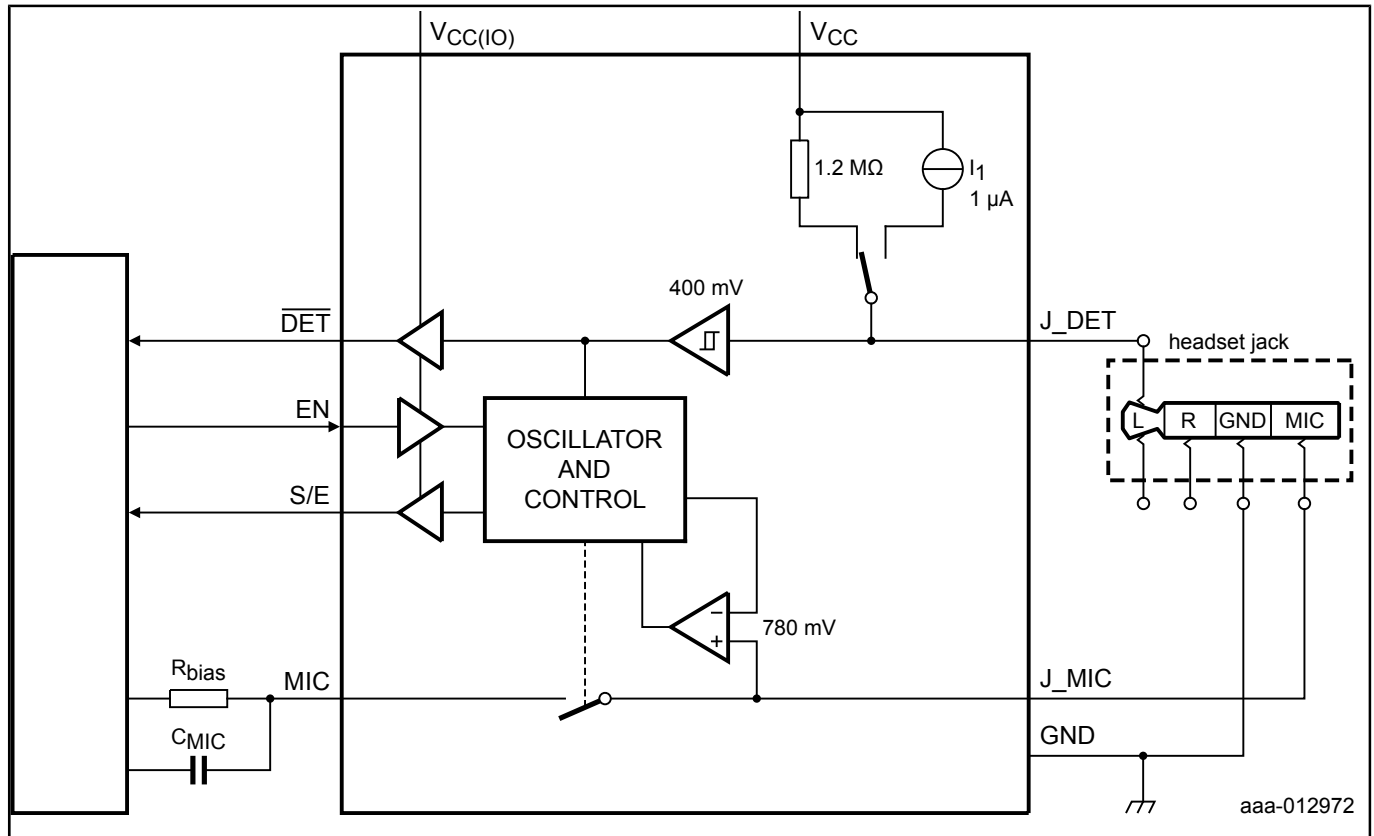
Archived

This page contains information on a product that is no longer manufactured (discontinued). Specifications and information herein are available for historical reference only.

Last Updated: Jul 25, 2023

The NCX8193 is an advanced audio jack accessory detector and controller. It supports 3-pole and 4-pole connectors and detects the insertion of plugs into jacks using a fault detection technique. An internal microphone bias line switch allows a codec or application processor to control the audio jack configuration. The device supports a broad variety of after-market headphones.

NCX8193 Block Diagram



View additional information for [Audio Jack Detection and Configuration with False Detection Prevention](#).

Note: The information on this document is subject to change without notice.

www.nxp.com

NXP and the NXP logo are trademarks of NXP B.V. All other product or service names are the property of their respective owners. The related technology may be protected by any or all of patents, copyrights, designs and trade secrets. All rights reserved. © 2024 NXP B.V.