



# NFC Forum-Compliant Frontend IC with Superior RF Performance for Automotive

## NCx3321

Last Updated: Jun 1, 2023

The NCx3321 is an automotive-grade and NFC Forum-compliant frontend IC optimized for smart car access applications. The NCx3321 offers outstanding RF performance in terms of the maximum RF power combined with dynamic power control (DPC) and excellent receiver sensitivity.

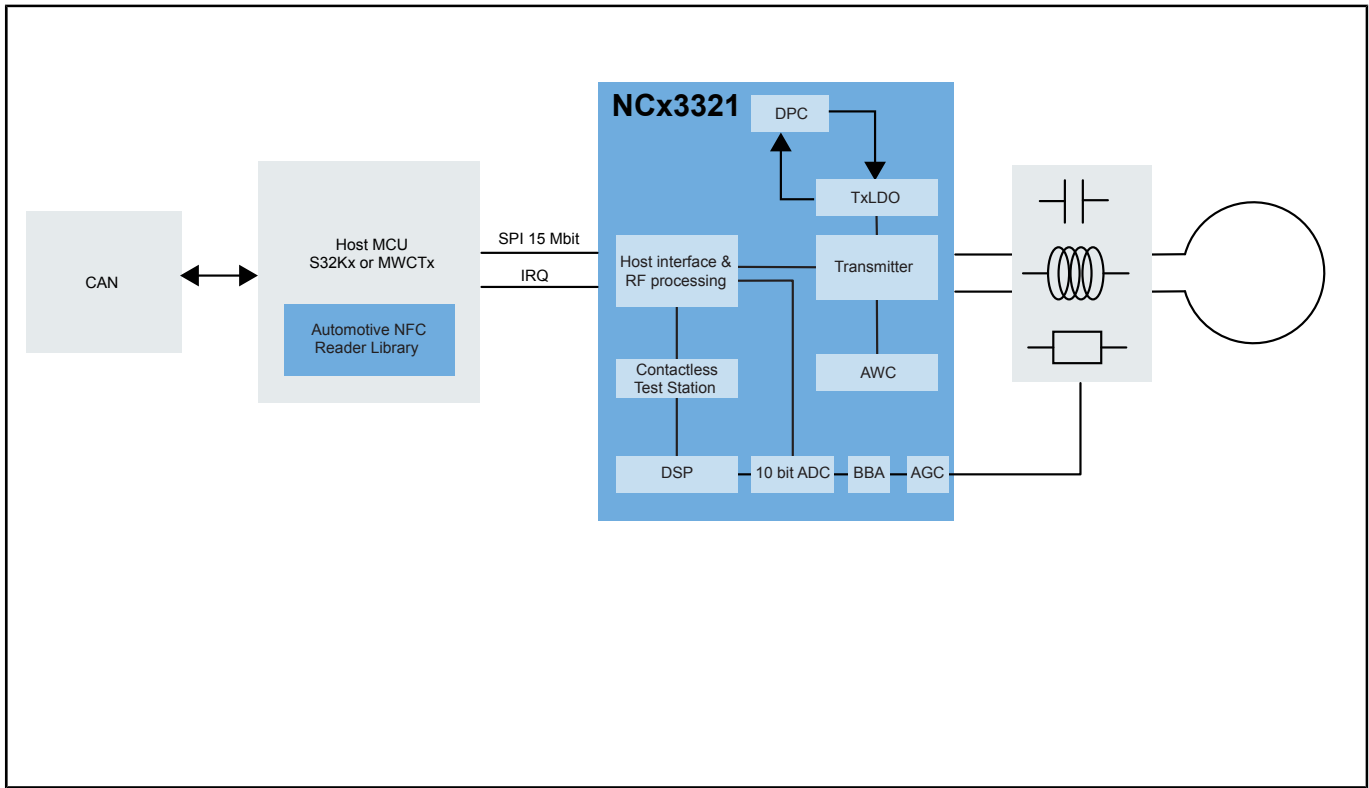
The NCx3321 also sets new benchmarks for ultra-low power card detection and self-diagnostics, making it an ideal solution for door handle/bi-pillar and center console applications. The NCx3321 is accompanied by an automotive NFC (aNFC) reader library, which is easily portable across different MCUs.

Please [send us an email](#) to request product support package for this product.

Once you have your activation code, please see how to [register and activate software](#).

For additional information and sample availability, contact your local [Sales Office](#).

## NCx3321 Block Diagram Block Diagram



View additional information for [NFC Forum-Compliant Frontend IC with Superior RF Performance for Automotive](#).

**Note:** The information on this document is subject to change without notice.

[www.nxp.com](http://www.nxp.com)

NXP and the NXP logo are trademarks of NXP B.V. All other product or service names are the property of their respective owners. The related technology may be protected by any or all of patents, copyrights, designs and trade secrets. All rights reserved. © 2023 NXP B.V.