



SIM Card Interface Level Translator with EMI Filter and ESD Protection

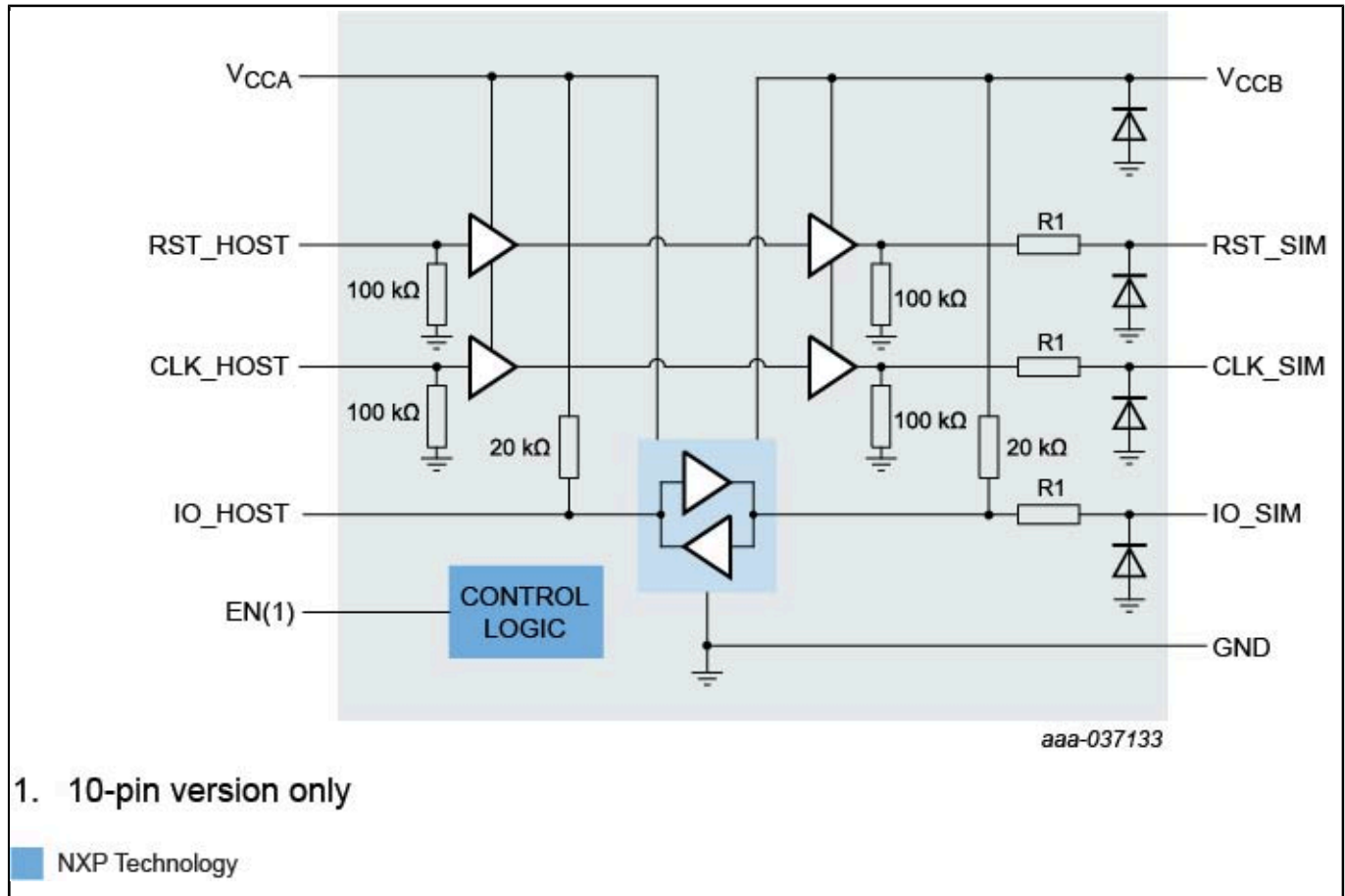
NVT4557

Last Updated: Jun 6, 2022

The NVT4557 device is built for interfacing a SIM card with a single low-voltage 1.08 V to 1.95 V host side interface. The NVT4557 contains three 1.65 V to 3.6 V level translators to convert the data, RSTn and CLKn signals between a SIM card and a host microcontroller.

The NVT4557 is compliant with all ETSI, IMT-2000 and ISO-7816 SIM/smart card interface requirements.

NVT4557 Block Diagram Block Diagram



View additional information for [SIM Card Interface Level Translator with EMI Filter and ESD Protection](#).

Note: The information on this document is subject to change without notice.

www.nxp.com

NXP and the NXP logo are trademarks of NXP B.V. All other product or service names are the property of their respective owners. The related technology may be protected by any or all of patents, copyrights, designs and trade secrets. All rights reserved. © 2022 NXP B.V.