



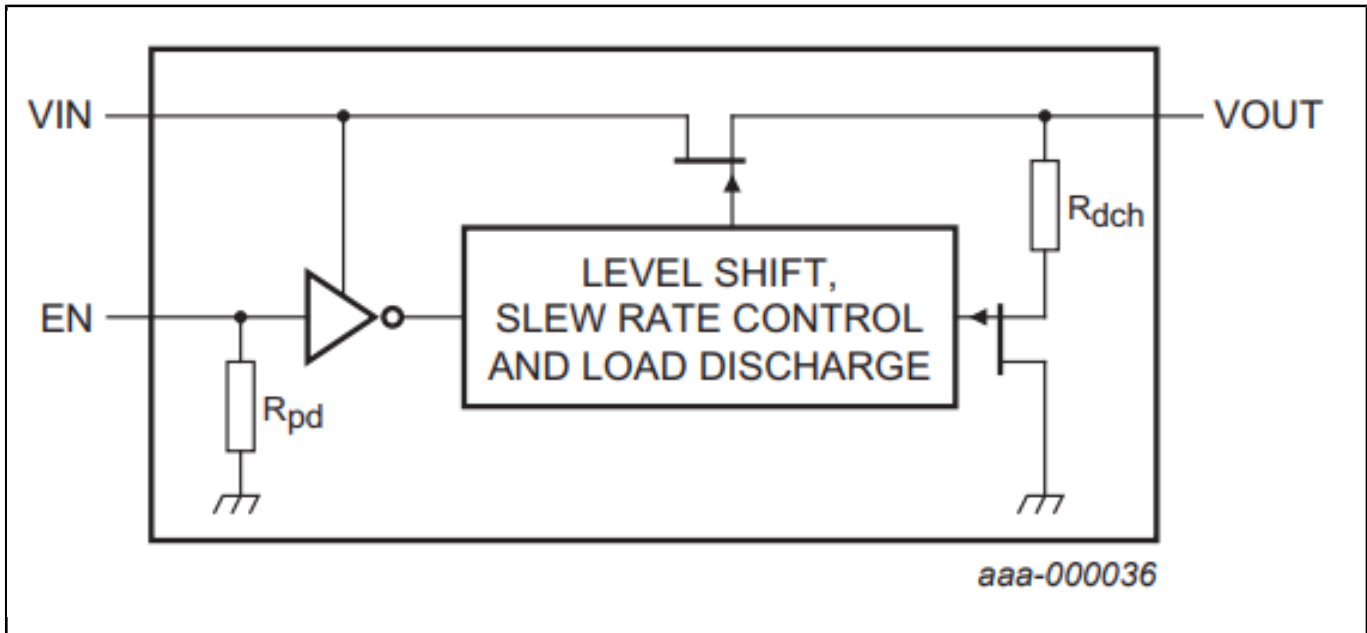
Logic-Controlled High-Side Power Switch

NX3P191UK

Last Updated: Apr 9, 2022

The NX3P191 is a high-side load switch which features a low ON resistance P-channel MOSFET with input inrush current reduction that supports more than 500 mA of continuous current and an integrated output discharge resistor to discharge the output capacitance when disabled. Designed for operation from 1.1 V to 3.6 V, it is used in power domain isolation applications to reduce power dissipation and extend battery life. The enable logic includes integrated logic level translation making the device compatible with lower voltage processors and controllers. The NX3P191 is ideal for portable, battery operated applications due to low ground current and ultra-low shutdown current.

NX3P191 Block Diagram Block Diagram



View additional information for [Logic-Controlled High-Side Power Switch](#).

Note: The information on this document is subject to change without notice.

www.nxp.com

NXP and the NXP logo are trademarks of NXP B.V. All other product or service names are the property of their respective owners. The related technology may be protected by any or all of patents, copyrights, designs and trade secrets. All rights reserved. © 2023 NXP B.V.