



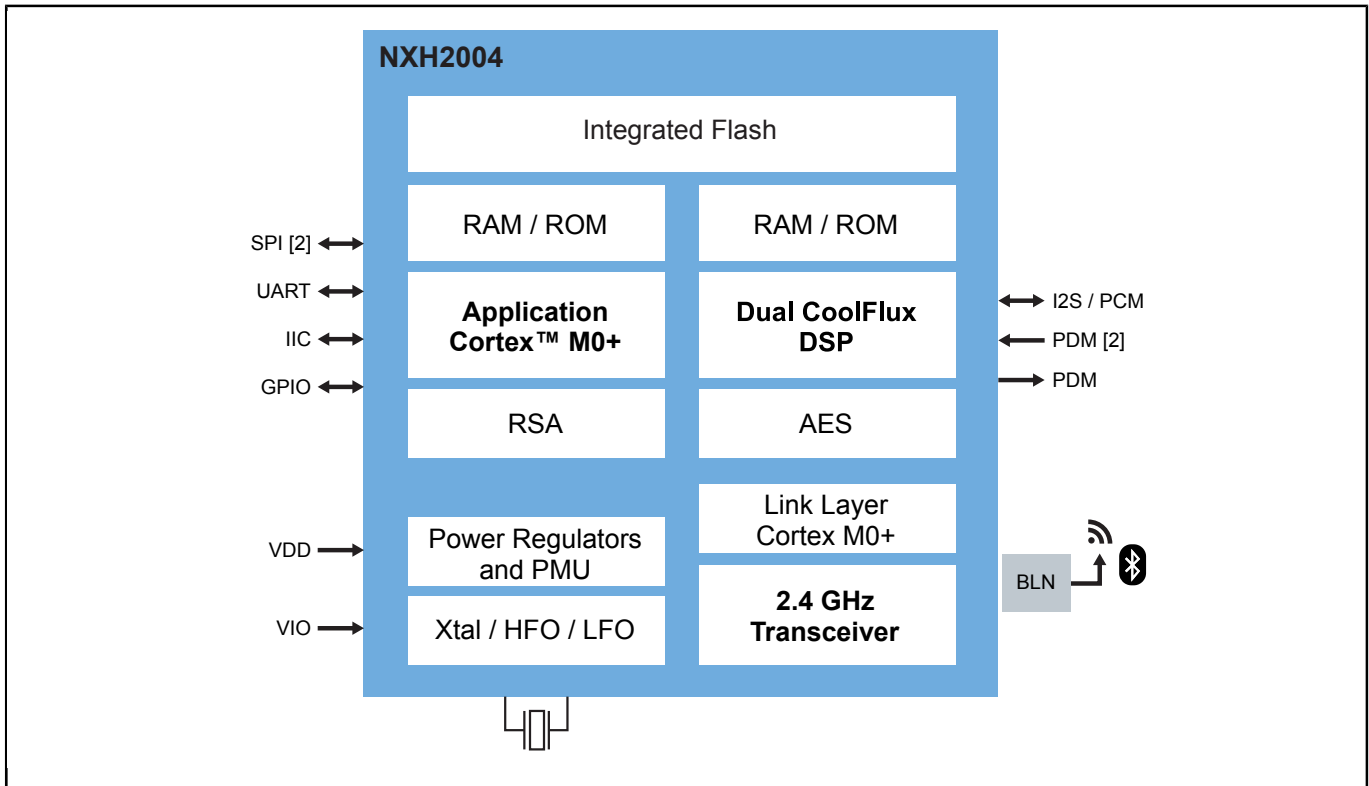
Ultra-Low Power Hearing Aid SoC Solution over Bluetooth® LE Audio

NXH2004

Last Updated: Dec 23, 2025

The NXH2004 is a tiny 9.1 mm² Bluetooth 5.3 LE Audio SoC solution for hearing aids and enables Auracast™. It includes support for MFi (Made for iPod/iPhone/iPad) and ASHA (Audio streaming for Hearing Aids), along with HAP (Hearing Access Profile). The device includes dual core audio DSP and flash. Integrated with ultra-low power radio, the NXH2004 provides extended battery lifetime and can run directly from a ZnAir battery. Combined with a PMIC, the NXH2004 provides a cost-effective solution within a small solution area required for Li-ion-based devices.

NXH2004 Block Diagram



View additional information for [Ultra-Low Power Hearing Aid SoC Solution over Bluetooth® LE Audio](#).

Note: The information on this document is subject to change without notice.

www.nxp.com

NXP and the NXP logo are trademarks of NXP B.V. All other product or service names are the property of their respective owners. The related technology may be protected by any or all of patents, copyrights, designs and trade secrets. All rights reserved. © 2026 NXP B.V.