



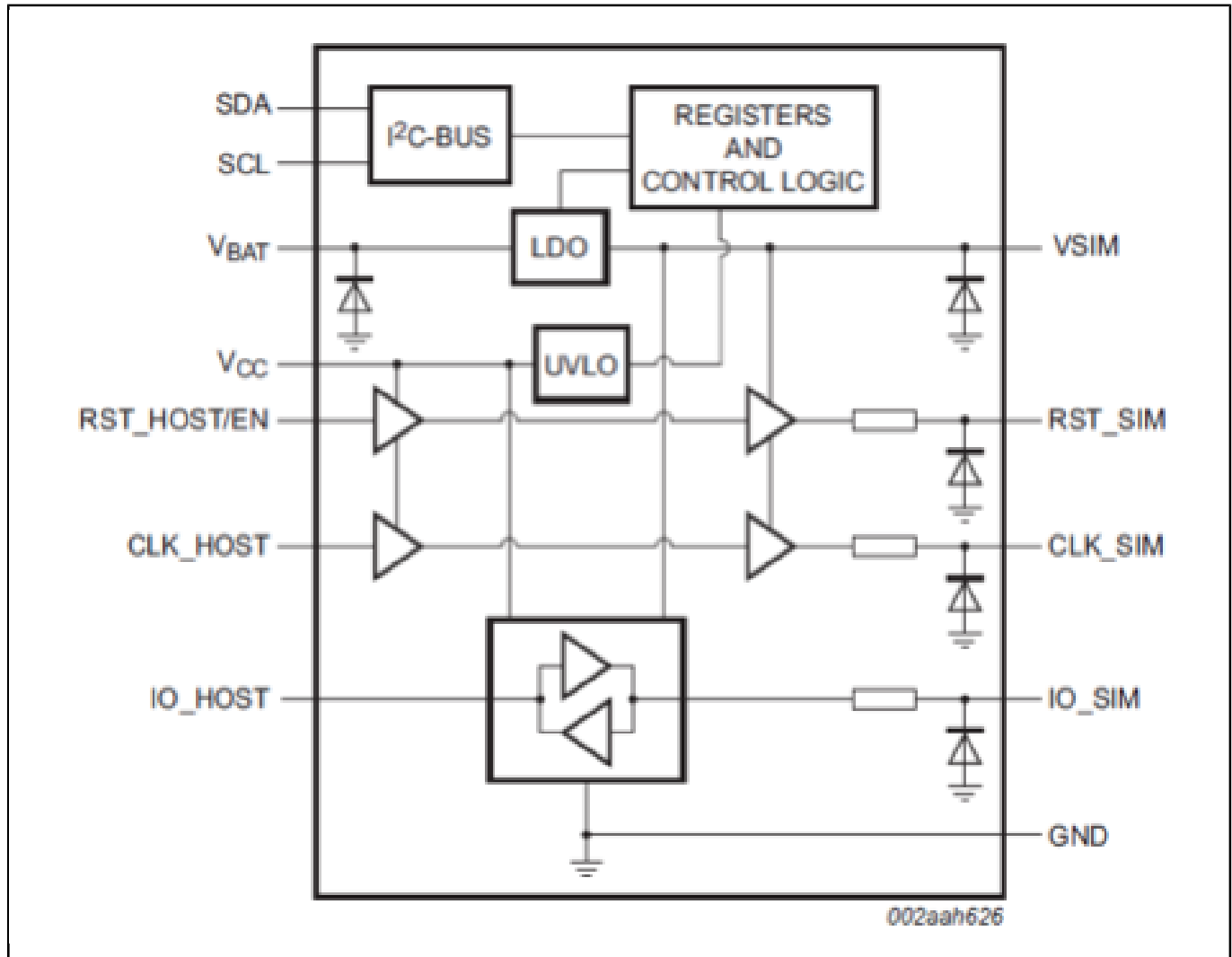
NVT4556UK Demo Board w/ I2C Control

OM13485UL

Last Updated: Jul 7, 2023

The OM13485UL is the demo board for the NVT4556UK device with I²C control. The NVT4556 device is built for interfacing a SIM card with a single low-voltage host-side interface. The NVT4556 contains an LDO that can deliver two different voltages, 1.8 V or 3 V, from a typical mobile phone battery voltage, and three level translators to convert the data, RSTn and CLKn signals between a SIM card and a host microcontroller.

NVT4556UK Demo board w/ I2C Control Block Diagram



View additional information for [NVT4556UK Demo Board w/ I2C Control](#).

Note: The information on this document is subject to change without notice.

www.nxp.com

NXP and the NXP logo are trademarks of NXP B.V. All other product or service names are the property of their respective owners. The related technology may be protected by any or all of patents, copyrights, designs and trade secrets. All rights reserved. © 2023 NXP B.V.