



# OM13790 Host and Dock: USB Type-C Shield Board Gen 2 with Display Port Alt Mode

## OM13790

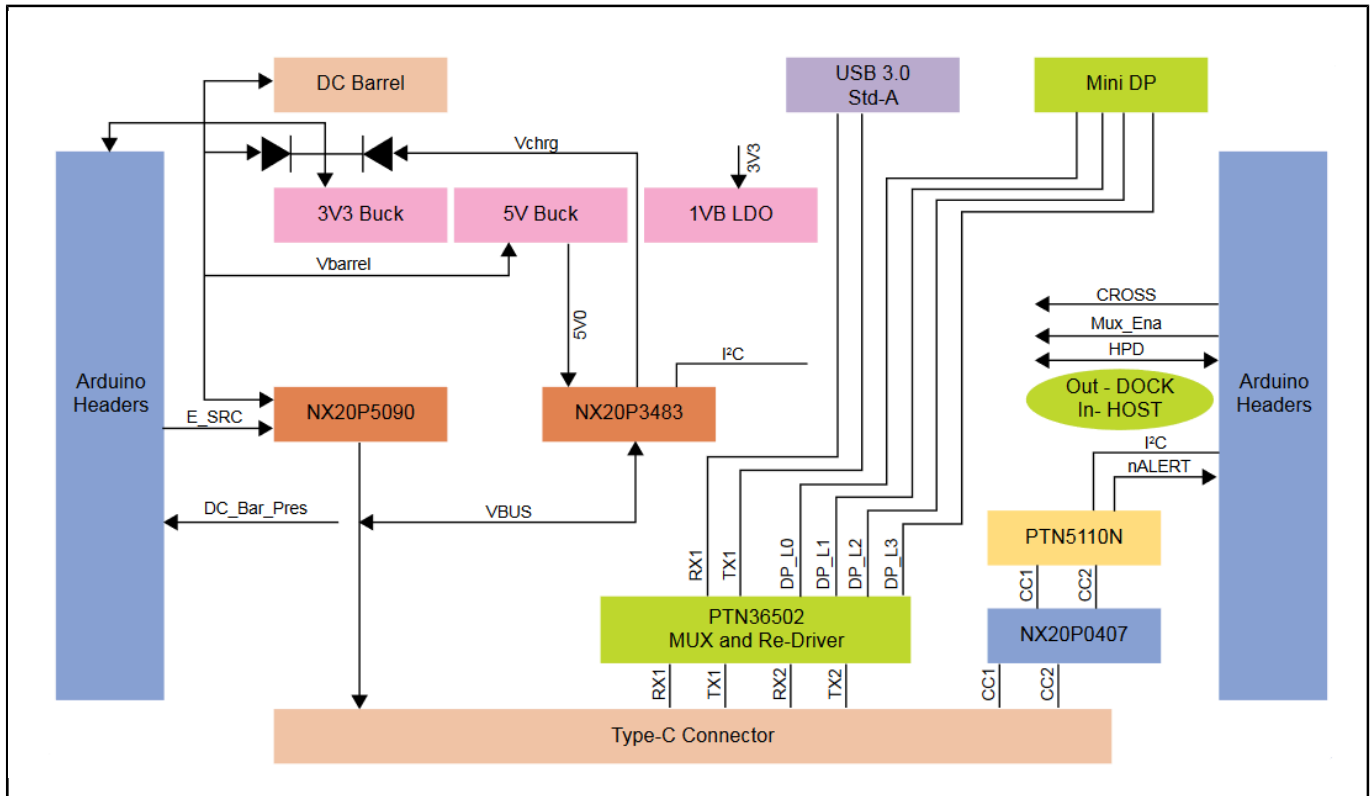
Last Updated: Sep 2, 2024

NXP is launching a Generation 2 USB Type-C Shield with display port alt mode support!

NXP's Generation 2.0 USB Type-C shield board, combined with an MCUXpresso SDK with USB Power Delivery Stack, allows you to tether a USB Type-C connector to select Kinetis®, LPC, and i.MX RT Development Platforms. This shortens the learning curve by leveraging NXP's Easy-to-use hardware and MCUXpresso software and tools, the only solution like it on the market. It enables Type-C support for display port alt-mode with seamless effort and offers numerous voltage protection services, promising easy and effective designs.

Jump into development quickly with our ready-to-play USB Type-C Development Kit, including the USB Type-C Shield Generation 2 host or dock board, an AC/DC Adapter to power the shield board, MCUXpresso SDK with USB Power Delivery Stack, and hardware and software setup guides. Get the USB Type-C full development kit and experience it for yourselves.

# OM13790 Dock Block Diagram



View additional information for [OM13790 Host and Dock: USB Type-C Shield Board Gen 2 with Display Port Alt Mode](#).

**Note:** The information on this document is subject to change without notice.

[www.nxp.com](http://www.nxp.com)

NXP and the NXP logo are trademarks of NXP B.V. All other product or service names are the property of their respective owners. The related technology may be protected by any or all of patents, copyrights, designs and trade secrets. All rights reserved. © 2024 NXP B.V.