



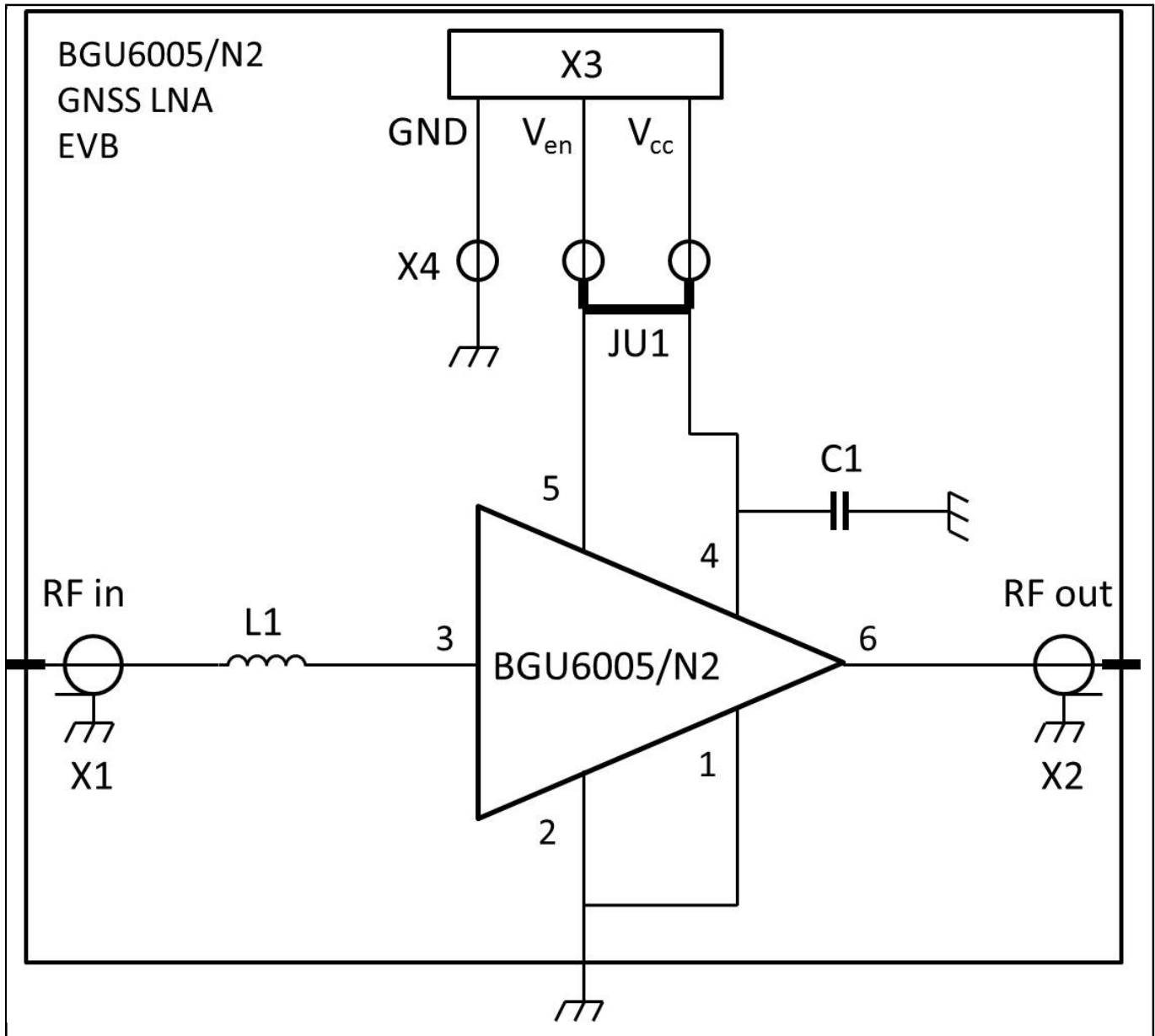
BGU6005/N2 GPS LNA Evaluation Board

OM17000

Last Updated: Nov 29, 2022

The BGU6005/N2 GPS LNA evaluation board simplifies the evaluation of the BGU6005/N2 LNA for the GPS application. The evaluation board enables testing of the device performance and requires no additional support circuitry. The board is fully assembled with the BGU6005/N2, the input series inductor and a decoupling capacitor. The board is supplied with two SMA connectors for input and output connection to RF test equipment. The BGU6005/N2 can operate from a 1.5 V to 3.1 V single supply and consumes about 4.9 mA.

BGU6005/N2 GPS LNA Evaluation Board Block Diagram



View additional information for [BGU6005/N2 GPS LNA Evaluation Board](#).

Note: The information on this document is subject to change without notice.

www.nxp.com

NXP and the NXP logo are trademarks of NXP B.V. All other product or service names are the property of their respective owners. The related technology may be protected by any or all of patents, copyrights, designs and trade secrets. All rights reserved. © 2023 NXP B.V.