



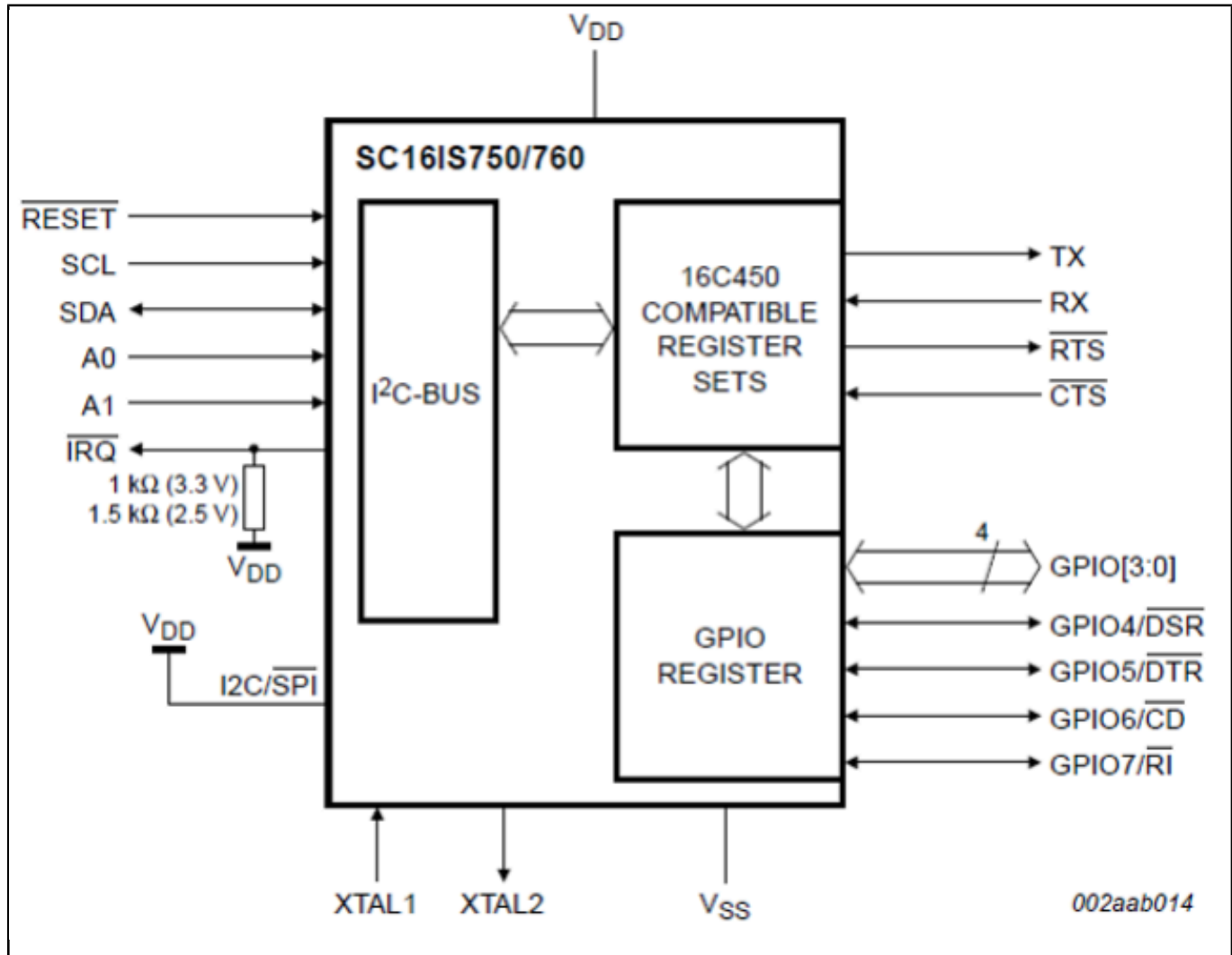
SC16IS750 SPI/I²C to UART Bridge Demo Board

OM6270

Last Updated: Mar 12, 2024

The OM6270 is the demo board for the SC16IS750. The SC16IS740/750/760 is a follower I²C-bus/SPI interface to a single-channel high-performance UART. It offers data rates up to 5 Mbit/s and guarantees low operating and sleeping current. The SC16IS750 and SC16IS760 also provide the application with 8 additional programmable I/O pins. The device comes in very small HVQFN24, TSSOP24 (SC16IS750/760) and TSSOP16 (SC16IS740) packages, which makes it ideally suitable for handheld, battery operated applications. This family of products enables seamless protocol conversion from I²C-bus or SPI to and RS-232/RS-485 and are fully bidirectional.

SPI/I²C to UART Bridge Demo Board Block Diagram



View additional information for [SC16IS750 SPI/I²C to UART Bridge Demo Board](#).

Note: The information on this document is subject to change without notice.

www.nxp.com

NXP and the NXP logo are trademarks of NXP B.V. All other product or service names are the property of their respective owners. The related technology may be protected by any or all of patents, copyrights, designs and trade secrets. All rights reserved. © 2024 NXP B.V.