



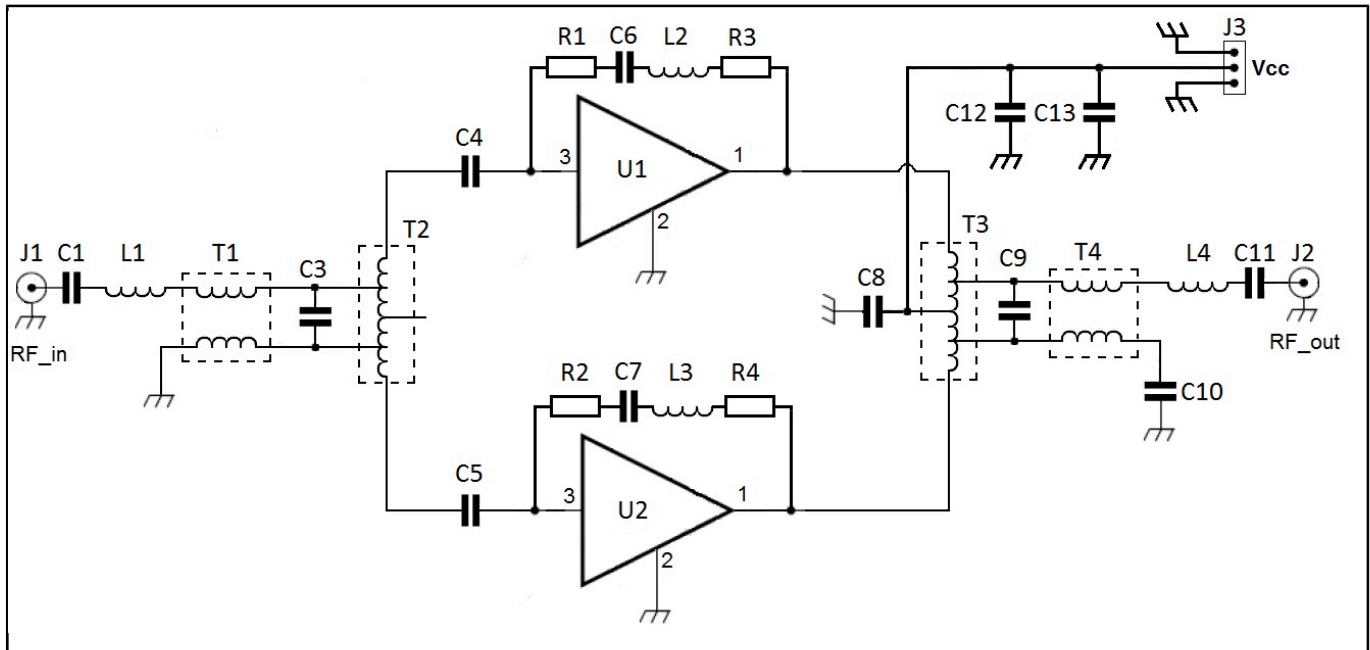
Demo Board for BGA3018, 40 MHz to 1006 MHz Push-Pull Amplifier Application

OM7868

Last Updated: Apr 19, 2024

This evaluation board uses two NXP's BGA3018 drop amplifiers in a push-pull configuration, resulting in a better second order distortion (IP2O and CSO) and higher output power.

OM7868 Block Diagram Block Diagram



View additional information for [Demo Board for BGA3018, 40 MHz to 1006 MHz Push-Pull Amplifier Application](#).

Note: The information on this document is subject to change without notice.

www.nxp.com

NXP and the NXP logo are trademarks of NXP B.V. All other product or service names are the property of their respective owners. The related technology may be protected by any or all of patents, copyrights, designs and trade secrets. All rights reserved. © 2024 NXP B.V.