



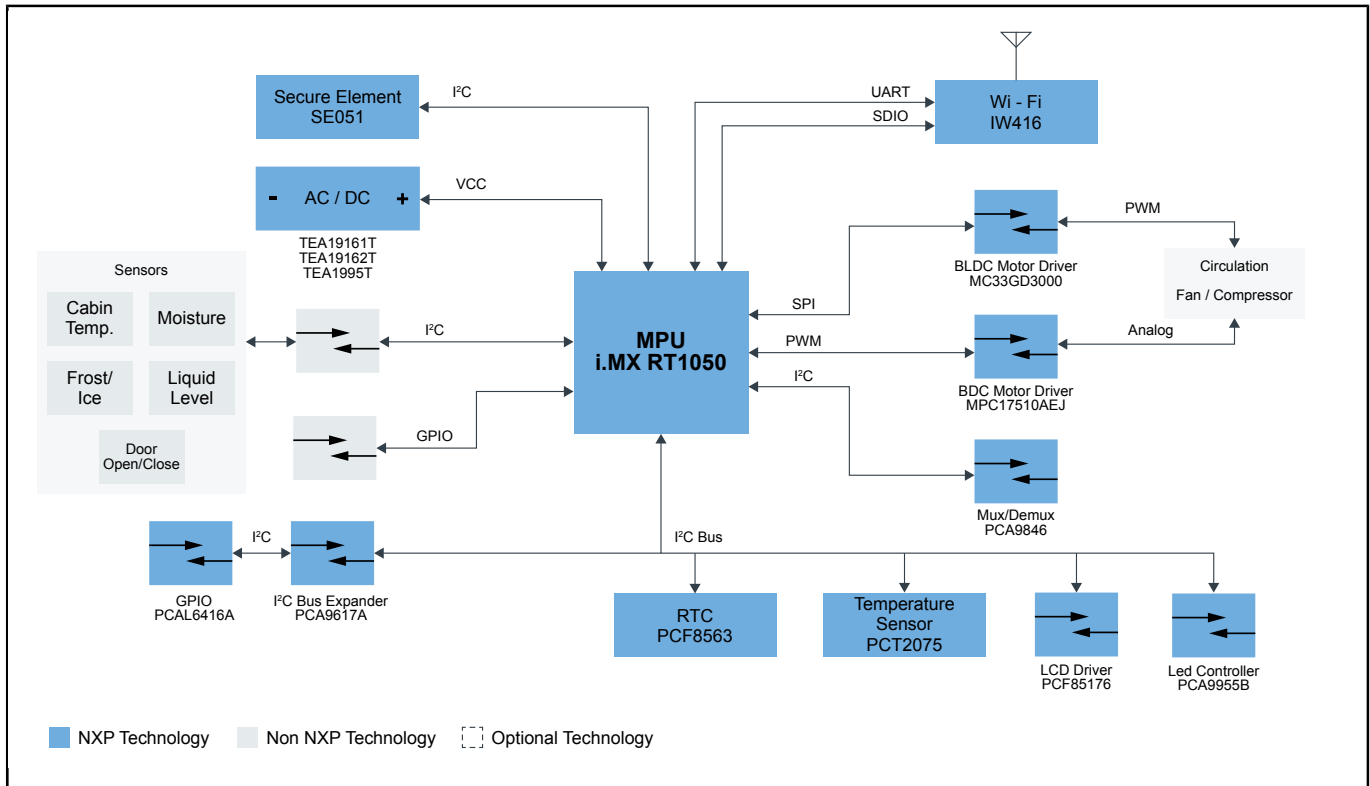
Oven and Ranges

OVENRANGE

Last Updated: Apr 23, 2024

NXP provides the technologies and system knowledge to enable secure, robust kitchen appliances solutions. This solution provides performance, and technical support on TSI / display and RTC implementation.

Oven and Ranges Block Diagram



View additional information for [Oven and Ranges](#).

Note: The information on this document is subject to change without notice.

www.nxp.com

NXP and the NXP logo are trademarks of NXP B.V. All other product or service names are the property of their respective owners. The related technology may be protected by any or all of patents, copyrights, designs and trade secrets. All rights reserved. © 2024 NXP B.V.