



Dual Bidirectional I3C/I2C-Bus and SPI Voltage-Level Translator

P3A9606

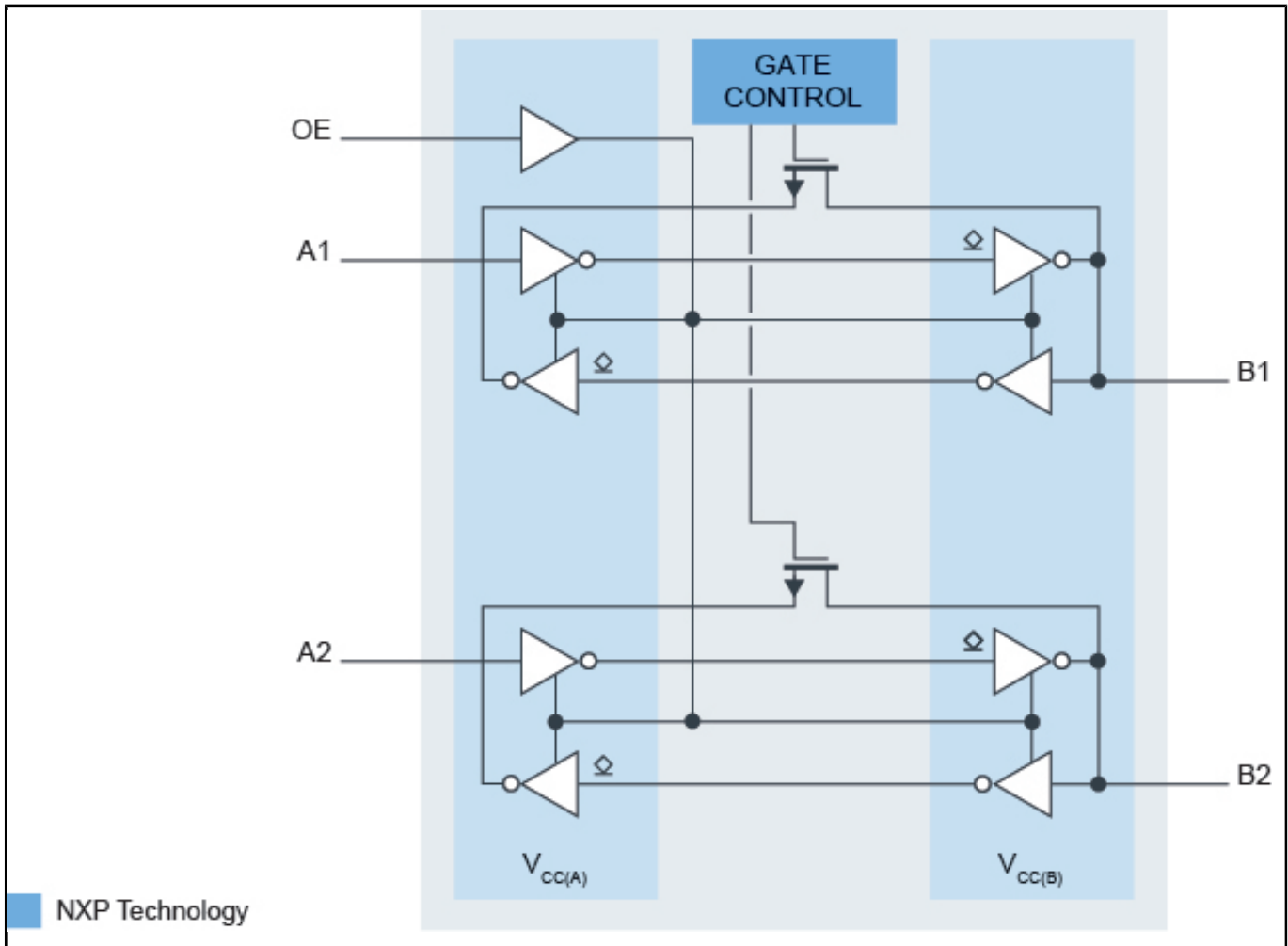
Last Updated: Aug 9, 2022

The P3A9606JK is a 2-bit, dual supply translating transceiver with auto direction sensing, that enables bidirectional voltage level translation for traditional open drain I²C-bus/SMBus applications, combination open drain and push pull 12.5 MHz I3C-bus applications or push pull SPI applications (with two devices).

Both VCC(A) and VCC(B) can be supplied at any voltage between 0.72 V and 1.98 V making the device suitable for translating between any of the low voltage nodes (0.8 V, 1.2 V and 1.8 V).

It features two 1-bit input-output ports (An and Bn) controlled by one output enable input (OE).

P3A9606 Block Diagram Block Diagram



View additional information for [Dual Bidirectional I3C/I2C-Bus and SPI Voltage-Level Translator](#).

Note: The information on this document is subject to change without notice.

www.nxp.com

NXP and the NXP logo are trademarks of NXP B.V. All other product or service names are the property of their respective owners. The related technology may be protected by any or all of patents, copyrights, designs and trade secrets. All rights reserved. © 2022 NXP B.V.