



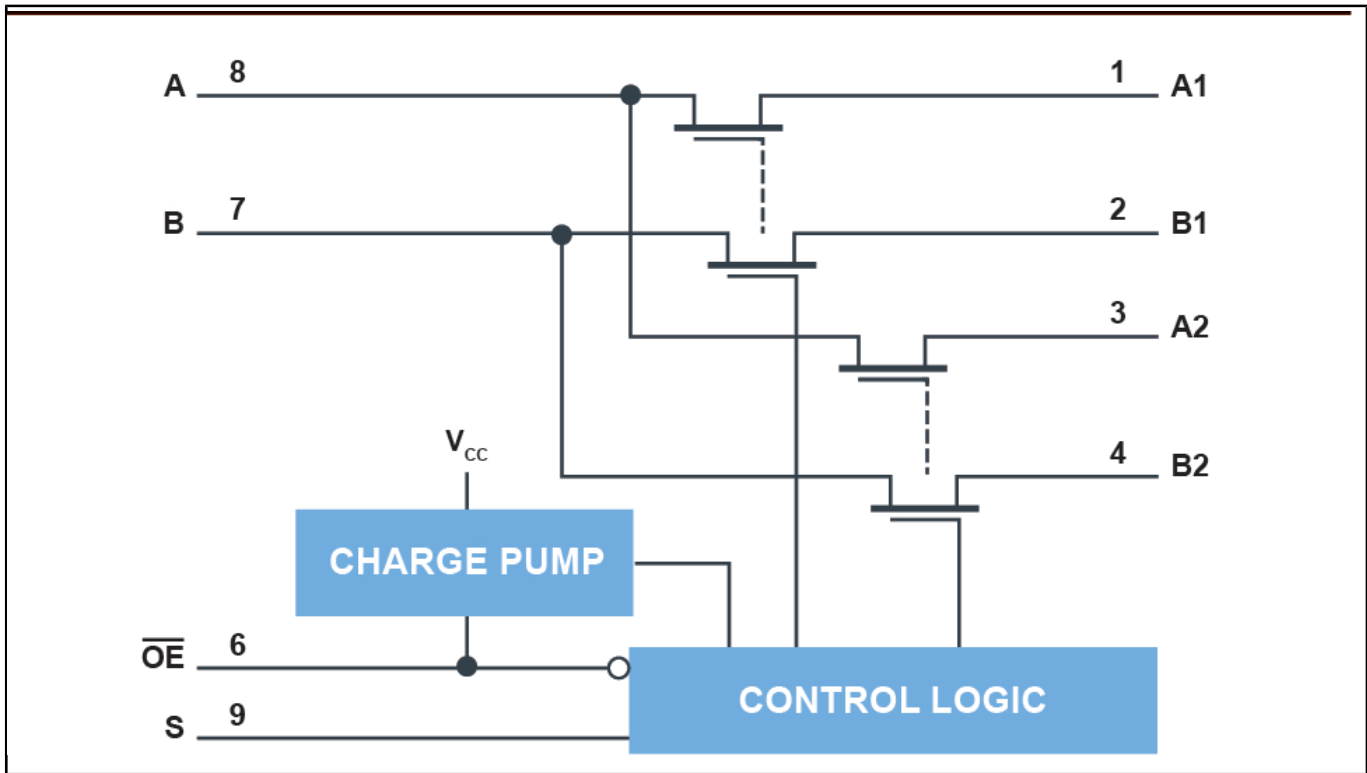
I3C Switch with Hardware Select and Enable

P3S0200GM

Last Updated: Sep 10, 2024

The P3S0200 is ideally suited for the switching of high-speed I3C signals in communication and server applications, such as servers, workstations and notebooks that have limited I3C I/Os. The wide bandwidth (52 MHz) of this switch allows signal to pass with minimum edge and phase distortion. The device multiplexes differential outputs from the I3C controller to one of two corresponding targets with hardware select pin. The switch is bidirectional and offers little or no attenuation of the high-speed signals at the outputs.

P3S0200GM Block Diagram Block Diagram



View additional information for [I3C Switch with Hardware Select and Enable](#).

Note: The information on this document is subject to change without notice.

www.nxp.com

NXP and the NXP logo are trademarks of NXP B.V. All other product or service names are the property of their respective owners. The related technology may be protected by any or all of patents, copyrights, designs and trade secrets. All rights reserved. © 2024 NXP B.V.