



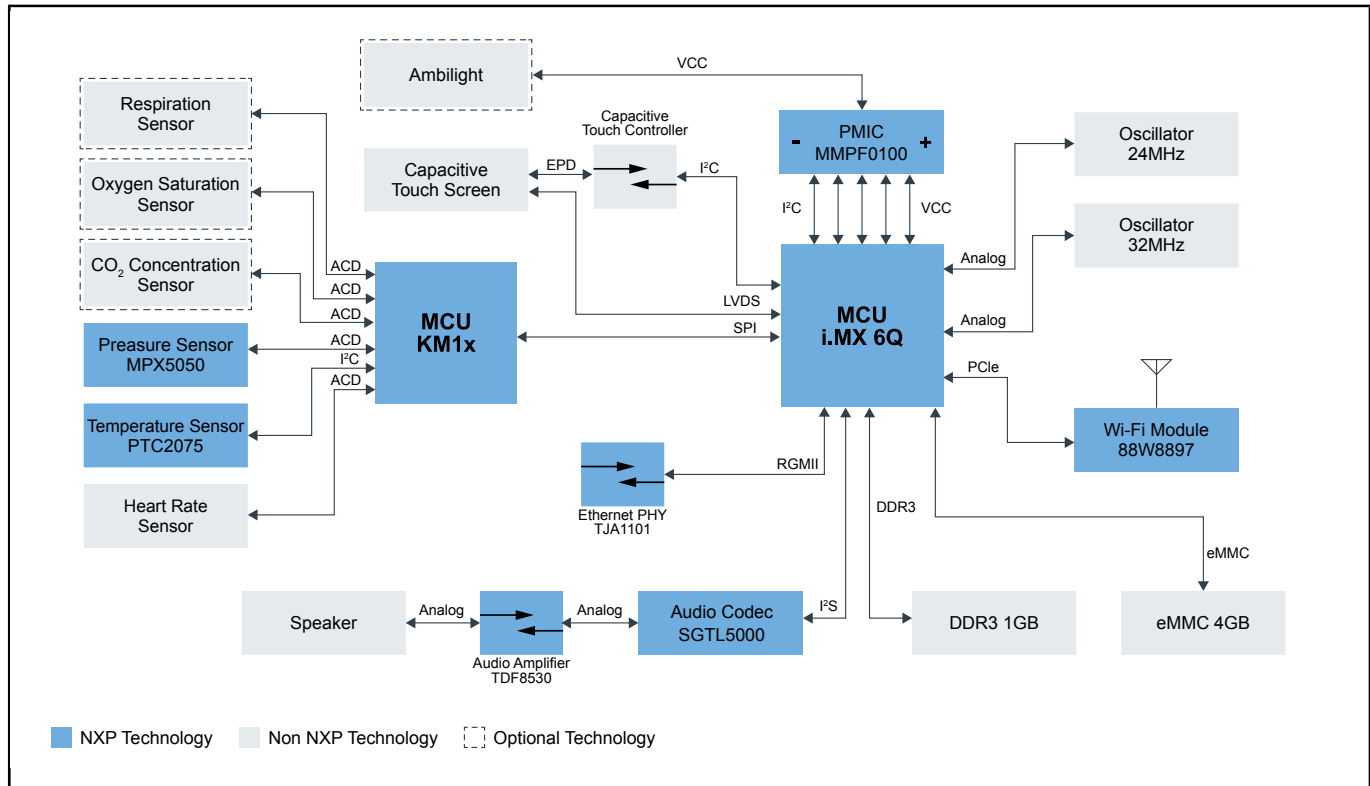
Patient Monitor

PATIENT-MONITOR

Last Updated: May 24, 2023

NXP® microcontrollers, microprocessors, analog components and sensors offer developers flexibility when designing patient monitor, This application sense the vital signs of a patient and display them and if any of the vital signs drops below a secure range, the device will send an alert to the medical staff, patient monitor improve comfort, monitoring and maneuverability for patients and health care professionals.

Patient Monitor Block Diagram



View additional information for [Patient Monitor](#).

Note: The information on this document is subject to change without notice.

www.nxp.com

NXP and the NXP logo are trademarks of NXP B.V. All other product or service names are the property of their respective owners. The related technology may be protected by any or all of patents, copyrights, designs and trade secrets. All rights reserved. © 2023 NXP B.V.