



# 32 KHz Watch Circuits with Adaptive Motor Pulse

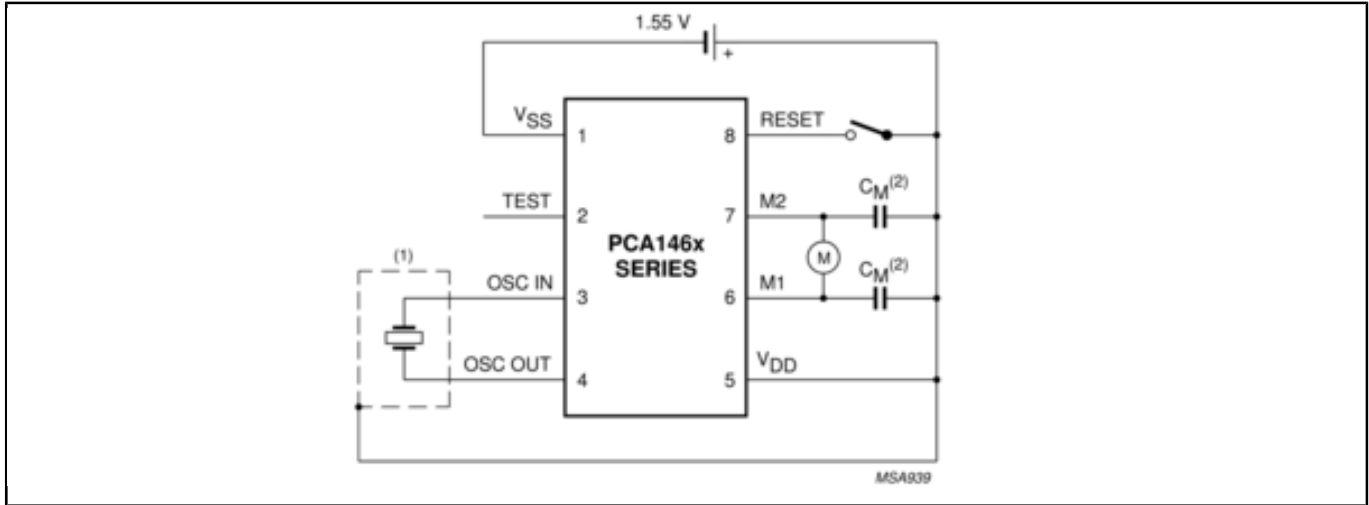
## PCA1462U

Last Updated: Apr 9, 2022

The PCA146x series devices are CMOS integrated circuits specially suited for battery-operated, quartz-crystal-controlled wrist-watches, with a bipolar stepping motor.

PCA1462U should not be used for new designs.

## PCA1462U, PCA1463U Block Diagram Block Diagram



View additional information for [32 KHz Watch Circuits with Adaptive Motor Pulse](#).

**Note:** The information on this document is subject to change without notice.

[www.nxp.com](http://www.nxp.com)

NXP and the NXP logo are trademarks of NXP B.V. All other product or service names are the property of their respective owners. The related technology may be protected by any or all of patents, copyrights, designs and trade secrets. All rights reserved. © 2023 NXP B.V.