



8-Bit I/O Expander with I²C-Bus/SPI Interface

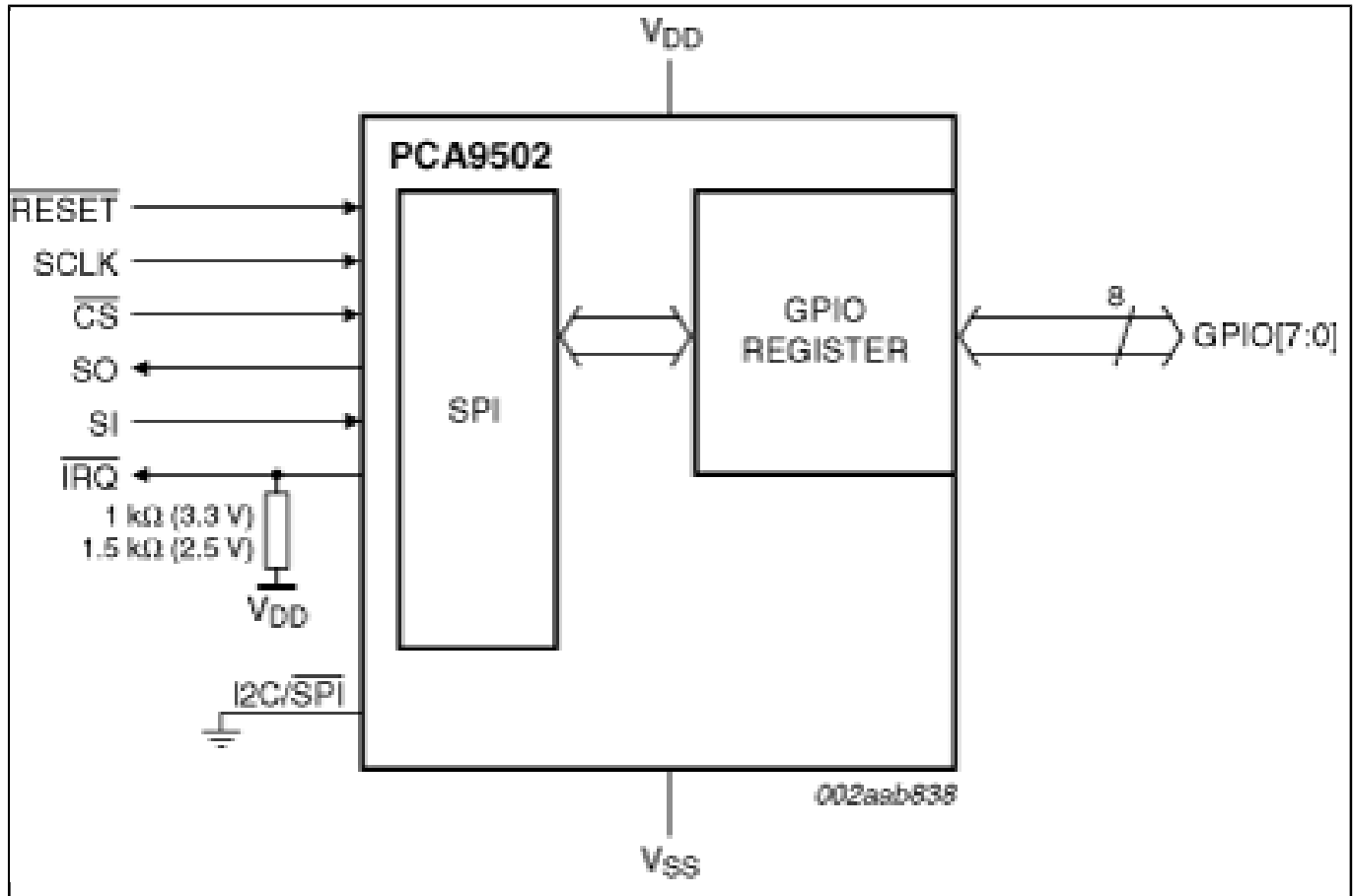
PCA9502BS

Last Updated: Jun 15, 2022

The PCA9502 is an 8-bit I/O expander with I²C-bus/SPI host interface. The device comes in a very small HVQFN24 package, which makes it ideally suitable for hand-held, battery operated applications.

The device also supports software reset, which allows the host to reset the device at any time, independent of the hardware reset signal.

PCA9502 Block Diagram Block Diagram



View additional information for [8-Bit I/O Expander with I²C-Bus/SPI Interface](#).

Note: The information on this document is subject to change without notice.

www.nxp.com

NXP and the NXP logo are trademarks of NXP B.V. All other product or service names are the property of their respective owners. The related technology may be protected by any or all of patents, copyrights, designs and trade secrets. All rights reserved. © 2022 NXP B.V.