



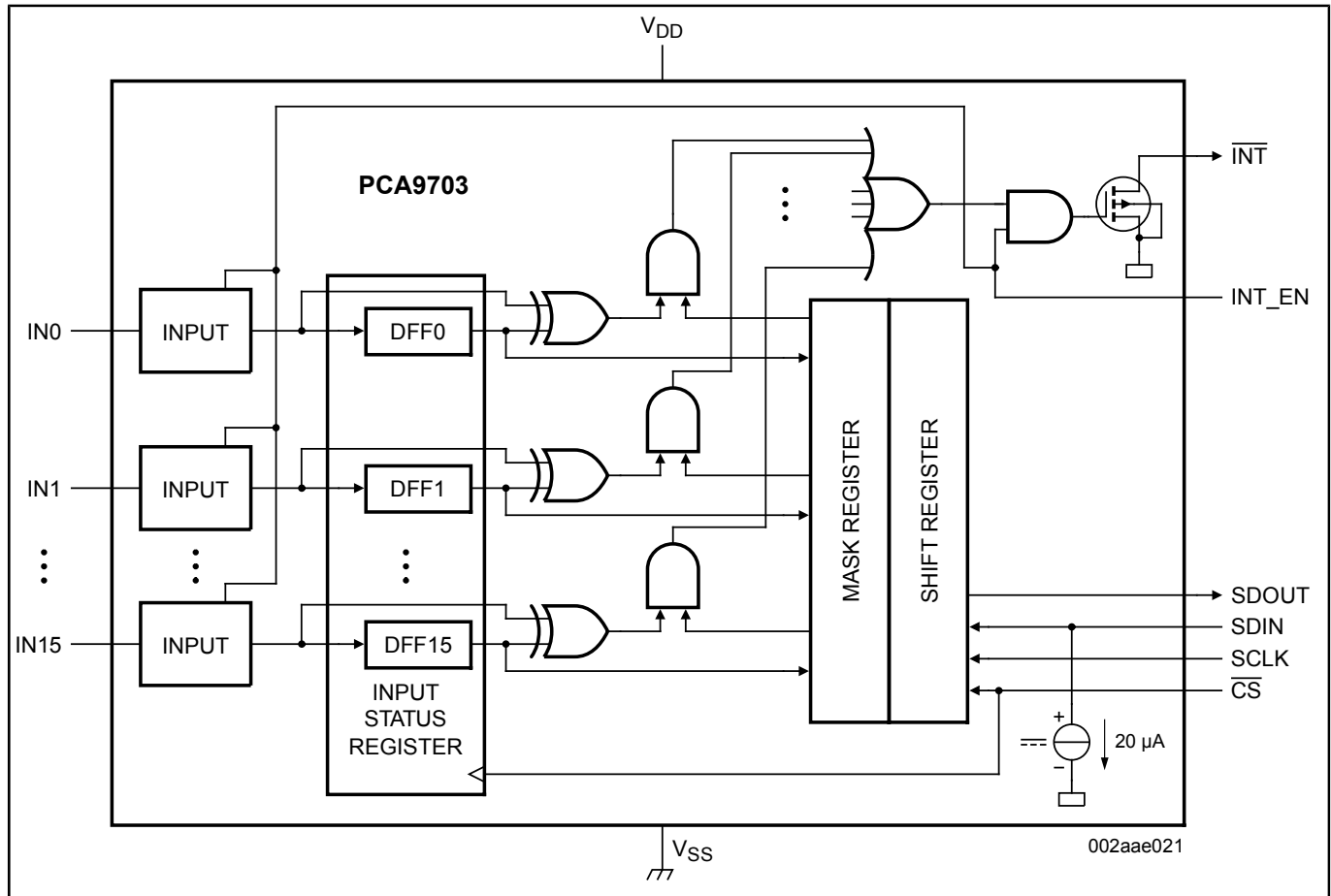
18 V Tolerant SPI 16-Bit GPI with Maskable INT

PCA9703

Last Updated: May 20, 2022

The PCA9703 is a low power 18 V tolerant SPI General Purpose Input (GPI) shift register designed to monitor the status of switch inputs. It generates an interrupt when one or more of the switch inputs change state but allows selected inputs to not generate interrupts using the interrupt masking feature. The input level is recognized as a HIGH when it is greater than $0.8 \times V_{DD}$ and as a LOW when it is less than $0.55 \times V_{DD}$ (minimum LOW threshold of 2.5 V at 5 V node). The PCA9703 can monitor up to 16 switch inputs.

PCA9703 Block Diagram Block Diagram



View additional information for [18 V Tolerant SPI 16-Bit GPI with Maskable INT](#).

Note: The information on this document is subject to change without notice.

www.nxp.com

NXP and the NXP logo are trademarks of NXP B.V. All other product or service names are the property of their respective owners. The related technology may be protected by any or all of patents, copyrights, designs and trade secrets. All rights reserved. © 2022 NXP B.V.