



# LCD Direct/Duplex Driver with I<sup>2</sup>C-Bus Interface

## PCF8577CT

### **Not Recommended for New Designs**

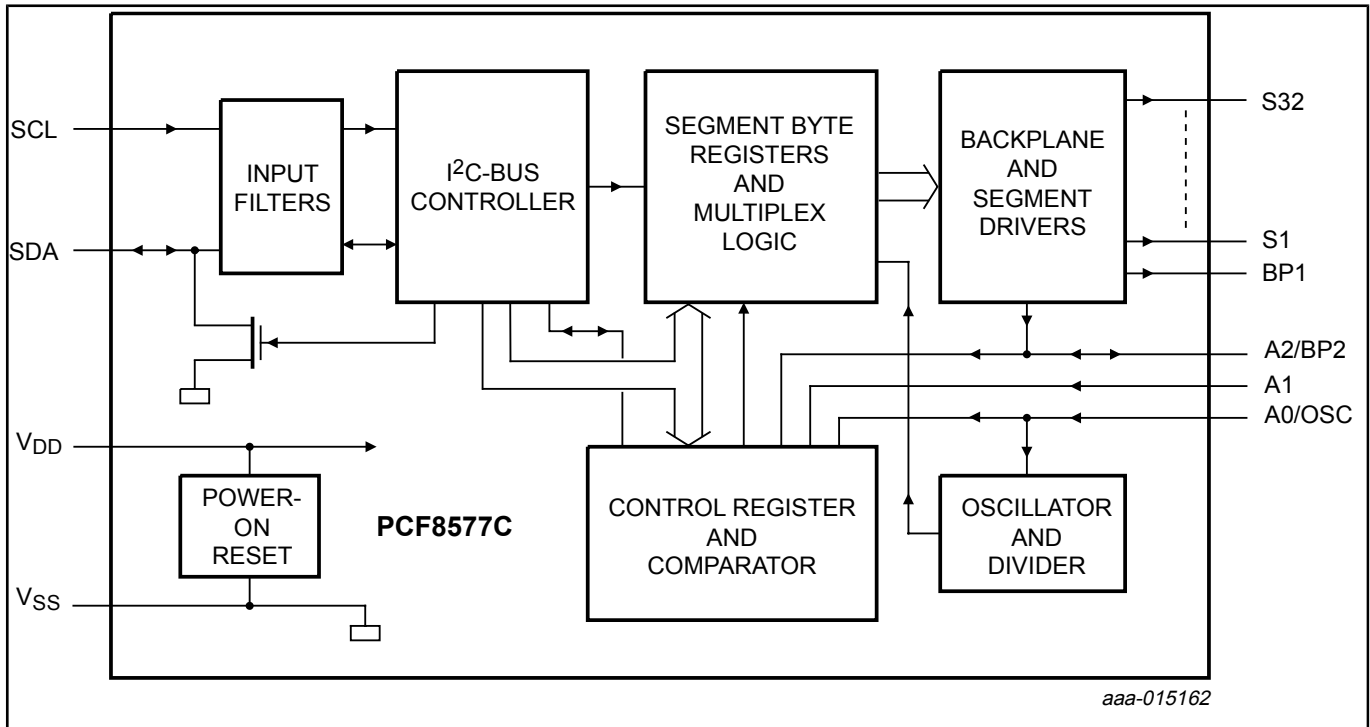
This page contains information on a product that is not recommended for new designs.

Last Updated: Oct 13, 2023

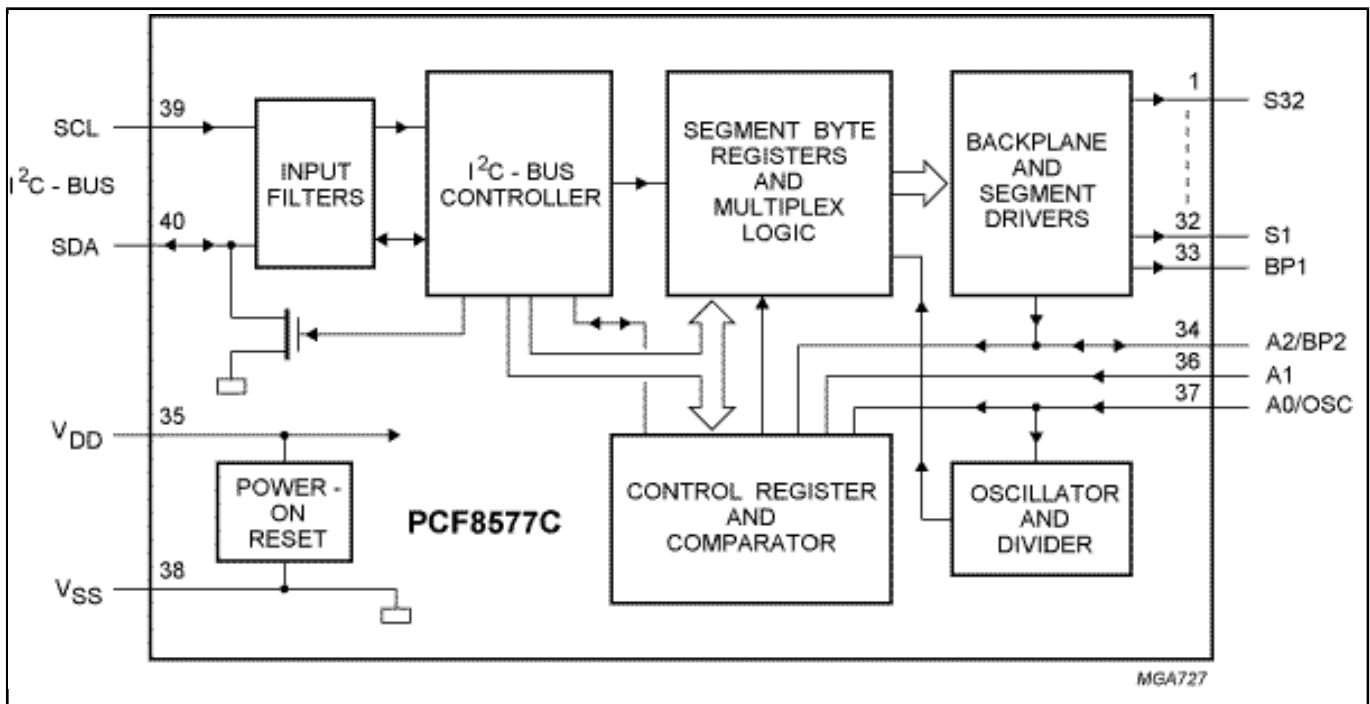
The PCF8577C is an LCD driver which drives up to 32 segments directly, or 64 segments in a duplex configuration.

The two-line I<sup>2</sup>C-bus interface substantially reduces wiring overheads in remote display applications. I<sup>2</sup>C-bus traffic is minimized in multiple IC applications by automatic address incrementing, hardware subaddressing and display memory switching (direct drive mode). To allow partial VDD shutdown, the ESD protection system of the SCL and SDA pins does not use a diode connected to VDD.

## PCF8577C Block Diagram



## PCF8577CT, PCF8577CU Block Diagram



**Note:** The information on this document is subject to change without notice.

---

**[www.nxp.com](http://www.nxp.com)**

NXP and the NXP logo are trademarks of NXP B.V. All other product or service names are the property of their respective owners. The related technology may be protected by any or all of patents, copyrights, designs and trade secrets. All rights reserved. © 2024 NXP B.V.