



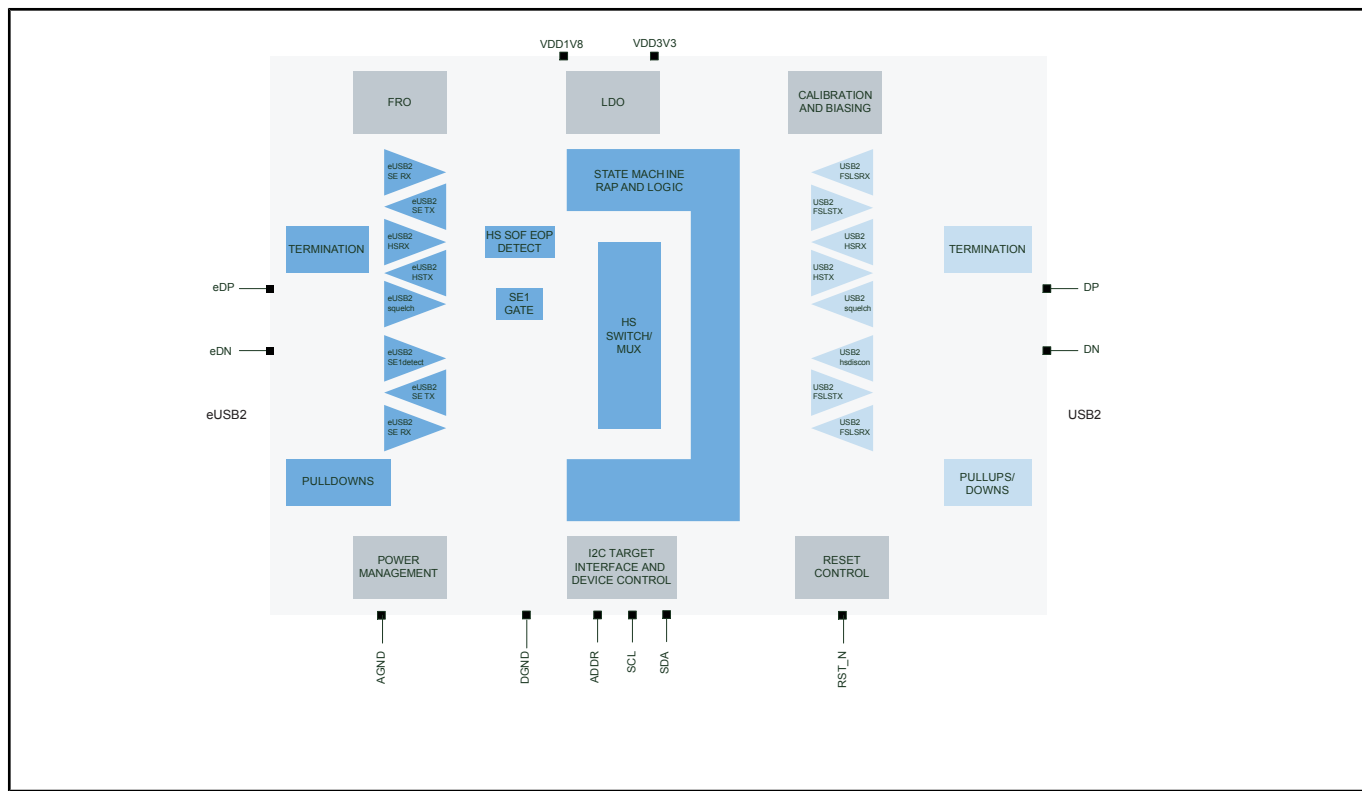
eUSB2 to USB2 Redriver

PTN3222

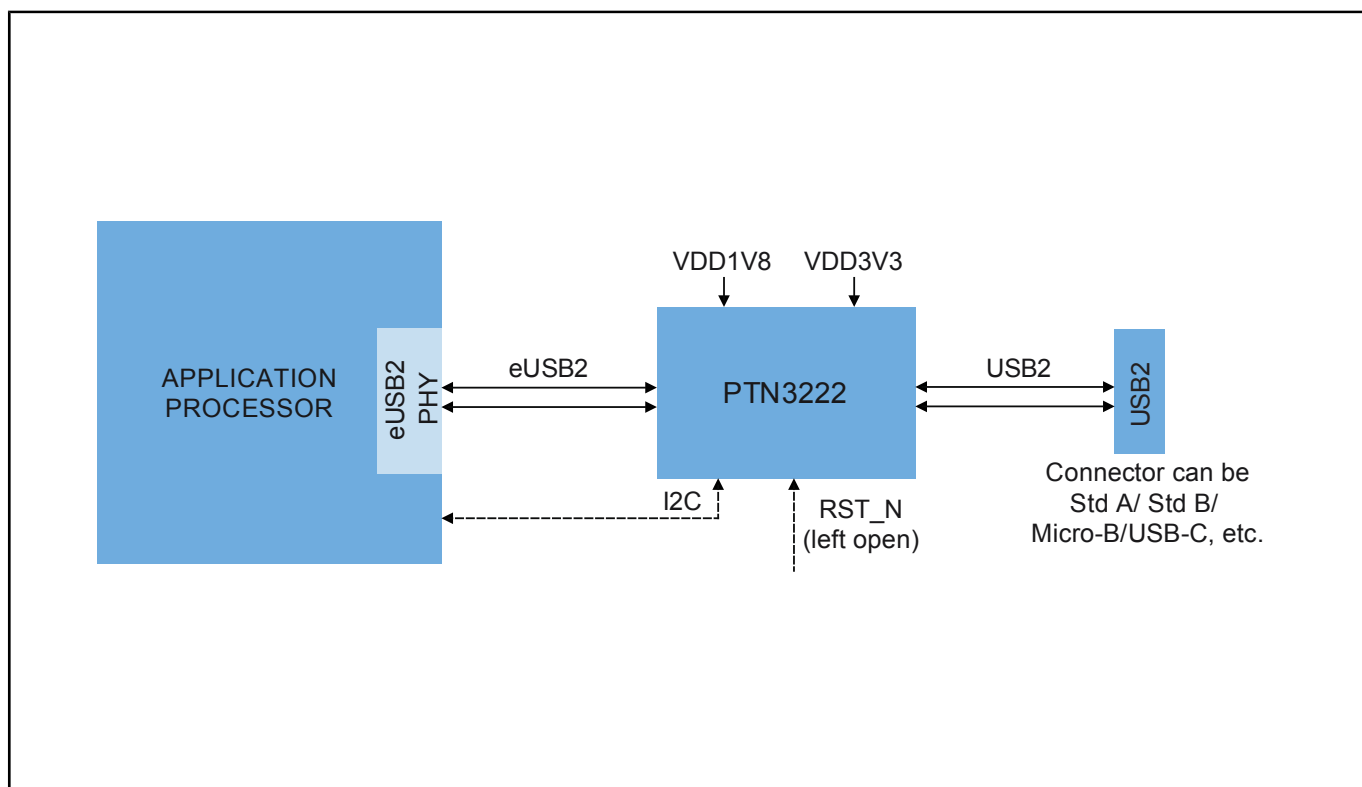
Last Updated: Mar 14, 2024

The PTN3222 device family is a set of 1-port eUSB2 to USB2 redrivers, enabling advanced process node SoCs to connect with traditional legacy USB2 interface. Family offers a variety of devices with different features to fit into the different SoCs available on the market. For more information about the family features options, please check the [summary table below](#).

eUSB2 to USB2 Redriver Block Diagram



PTN3222CUK Applications Block Diagram Block Diagram



View additional information for [eUSB2 to USB2 Redriver](#).

Note: The information on this document is subject to change without notice.

www.nxp.com

NXP and the NXP logo are trademarks of NXP B.V. All other product or service names are the property of their respective owners. The related technology may be protected by any or all of patents, copyrights, designs and trade secrets. All rights reserved. © 2024 NXP B.V.