



Multiprotocol USB 4 20 Gbps Linear Redriver

PTN38007

Not Recommended for New Designs

This page contains information on a product that is not recommended for new designs.

Last Updated: Oct 16, 2024

PTN38007 is a high-performance USB4 20 Gbps per lane, 4 lane Linear redriver optimized for USB3.2, DisplayPort 1.4 and Thunderbolt3 Alt modes / USB4 applications on either the downstream facing port (DFP) or upstream facing port (UFP) applications.

This device also implements the snooping monitor of the sideband signals from DP mode (AUX) and Thunderbolt3/USB4 mode (LSTX/RX) to optimize the configuration and recognize power saving modes.

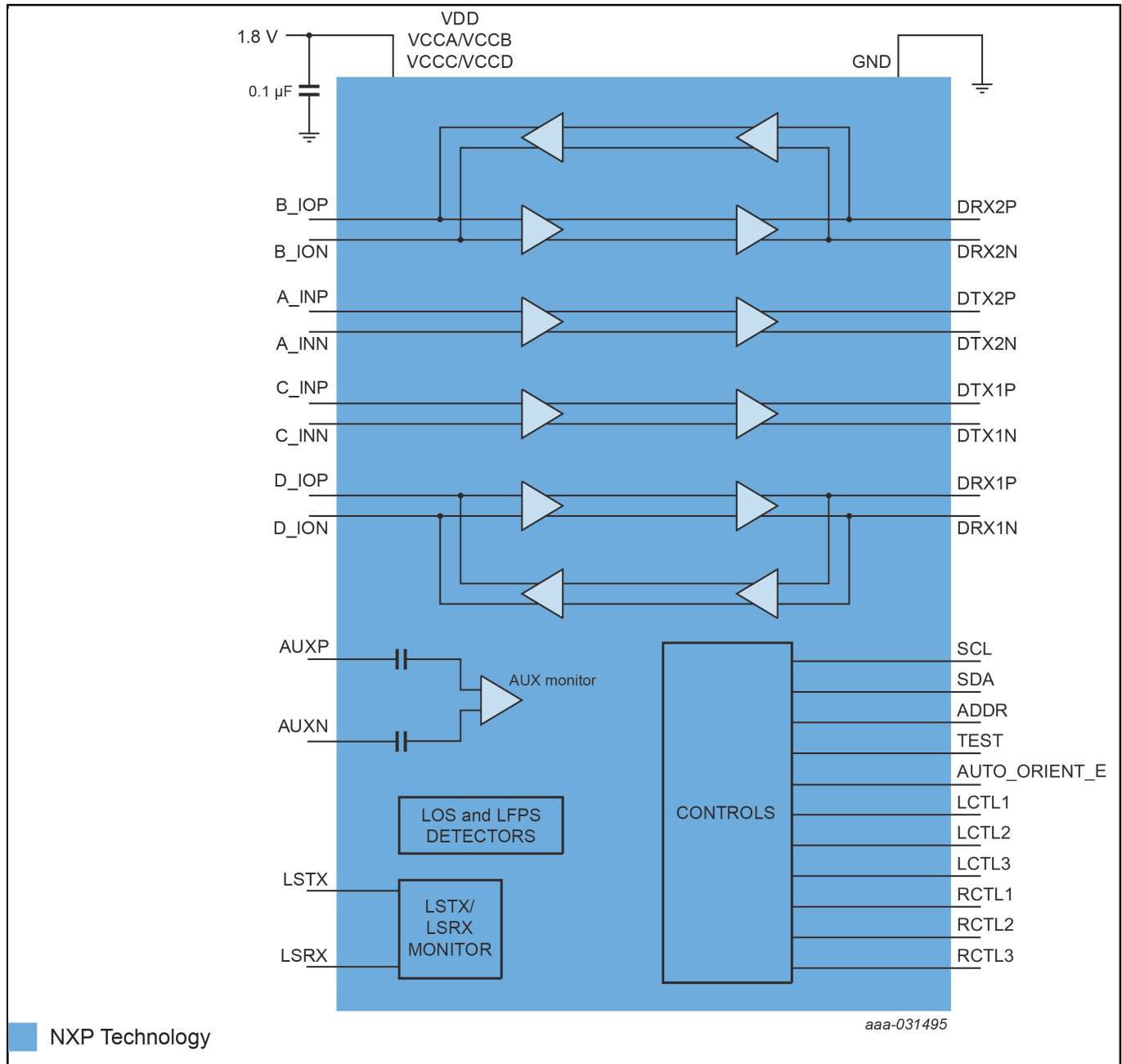
The device provides programmable linear equalization, output swing linearity control by pin strapping or I²C control to improve signal integrity and enable channel extension by reducing inter-symbol interference (ISI).

PTN38007 is typically used between the processor and a retimer that faces USB Type-C ports.

PTN38007 is powered from a 1.8 V supply. It is available in a small high performance HWFLGA36 package.

For additional information and sample availability, contact your local [Sales Office](#).

PTN38007 Block Diagram Block Diagram



View additional information for [Multiprotocol USB 4 20 Gbps Linear Redriver](#).

Note: The information on this document is subject to change without notice.

www.nxp.com

NXP and the NXP logo are trademarks of NXP B.V. All other product or service names are the property of their respective owners. The related technology may be protected by any or all of patents, copyrights, designs and trade secrets. All rights reserved. © 2024 NXP B.V.