



Multi-Channel PCIe Gen 4 Linear Equalizer

PTN3944

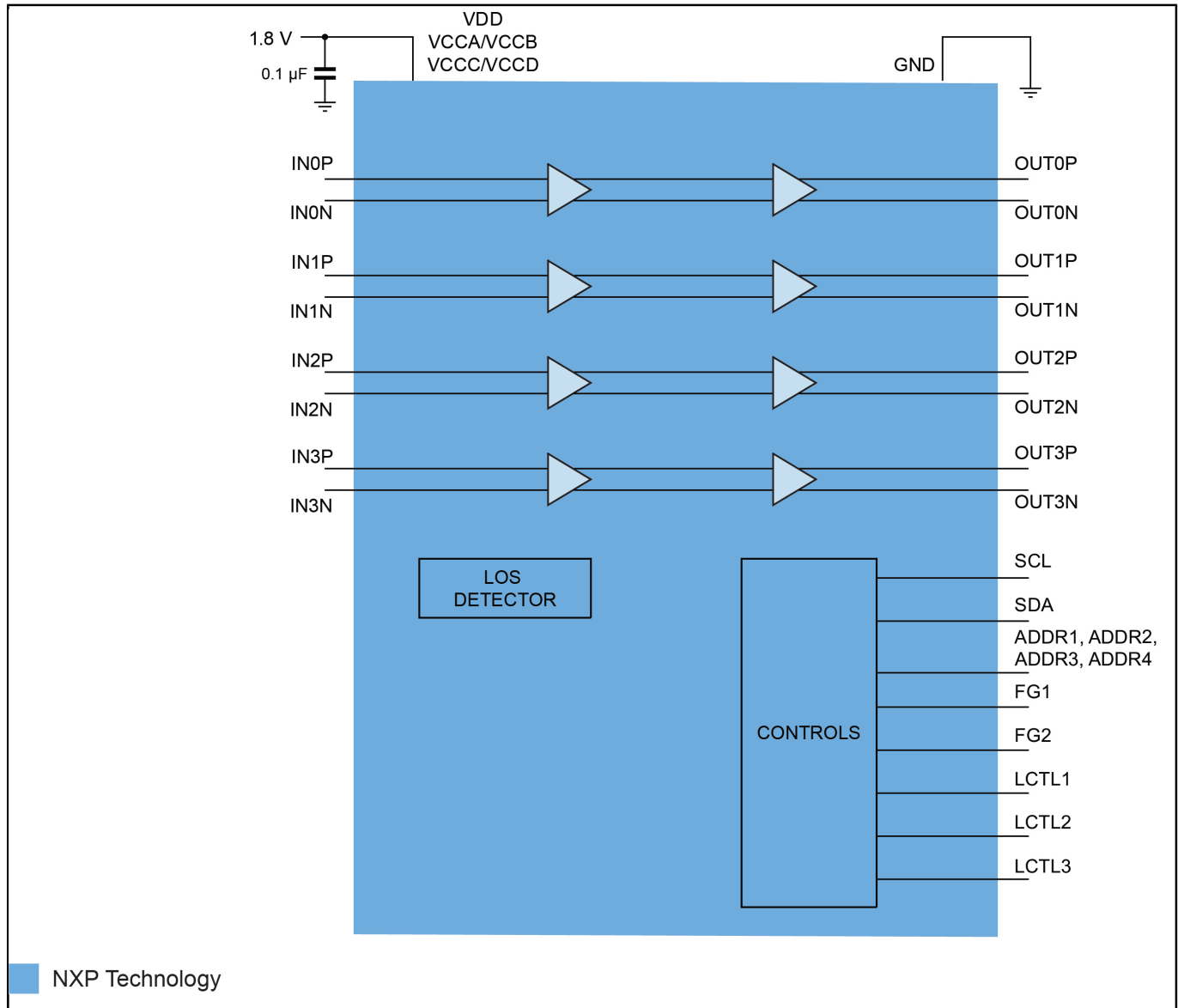
Last Updated: May 20, 2022

PTN3944 is a high-performance multi-channel (x4) linear equalizer that is optimized for PCIe 4.0, UPI and similar high-speed interfaces. PTN3944 addresses high-speed signal quality enhancement requirements for implementation of PCIe and UPI interfaces.

The device provides programmable linear equalization, output swing linearity control by pin strapping or I²C control to improve signal integrity and enable channel extension by reducing Inter-Symbol Interference (ISI). The equalizer supports use across a variety of channel conditions. PTN3944 supports entering into deep standby state using an I²C register write.

PTN3944 is powered from a 1.8 V supply. It is available in a small high performance HWFLGA36 package.

PTN3944 Block Diagram Block Diagram



View additional information for [Multi-Channel PCIe Gen 4 Linear Equalizer](#).

Note: The information on this document is subject to change without notice.

www.nxp.com

NXP and the NXP logo are trademarks of NXP B.V. All other product or service names are the property of their respective owners. The related technology may be protected by any or all of patents, copyrights, designs and trade secrets. All rights reserved. © 2022 NXP B.V.