



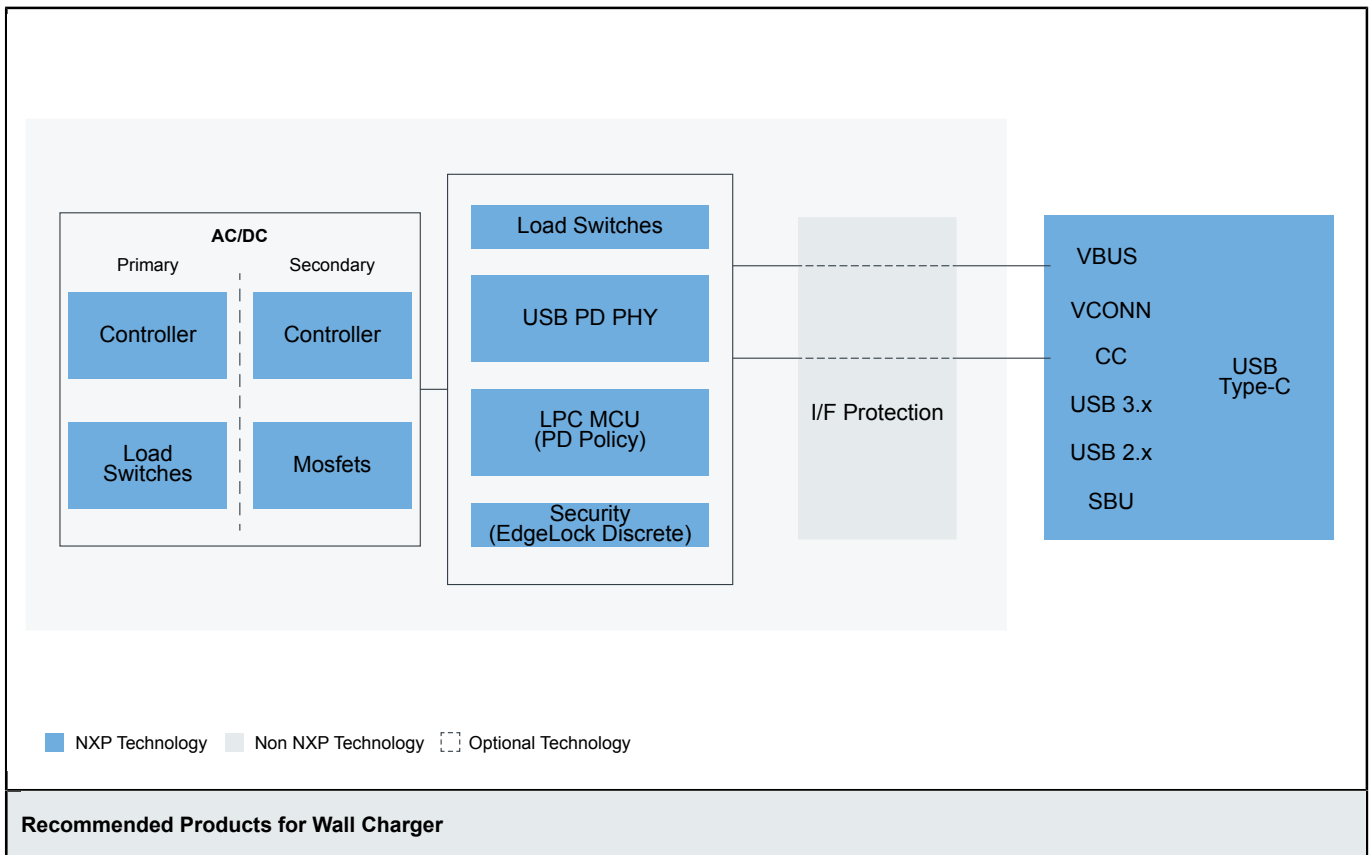
# Power Adapters and Chargers

Last Updated: Dec 16, 2021

NXP® has a proven track record on high-efficiency, low-power standby power supply solutions. Our Type-C wall charger uses our latest solutions to enable USB Power Delivery PD 2.0 up to 5 A and 20 V. This allows USB connections to complement data exchange with high power charging capabilities.

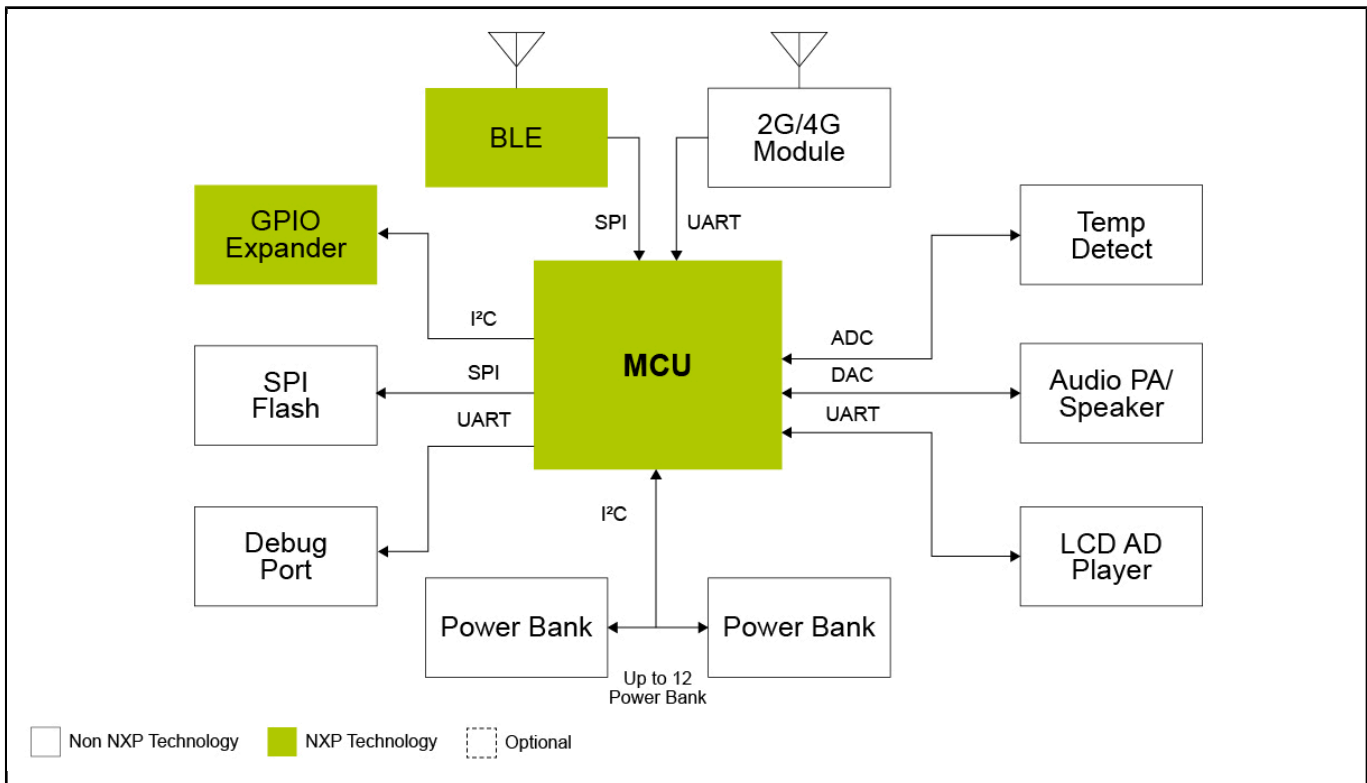
The PD format runs at up to 100 W, which is suitable for use with 5, 12, and 20 V systems – a big step up from the traditional USB battery charger or BC spec. Our application outlines how you can now build USB Type-C wall chargers that rapidly charge larger batteries, or can even power a hub or display.

## Wall Charger Block Diagram



MCU	<ul style="list-style-type: none"> <li>• <a href="#">LPC11U00</a>: Scalable Entry Level 32-bit Microcontroller (MCU) based on Arm® Cortex®-M0+ and Cortex®-M0 Cores</li> </ul>
Load Switches	<ul style="list-style-type: none"> <li>• <a href="#">NX5P2190UK</a>: Logic-Controlled High-Side Power Switch</li> <li>• <a href="#">NX20P5090UK</a>: High-Voltage USB PD Power Switch</li> <li>• <a href="#">NX5P3090UK</a>: USB PD and Type-C Current-Limited Power Switch</li> <li>• <a href="#">NX5P3290UK</a>: USB PD and Type-C Current-Limited Power Switch</li> </ul>
Load Switches	<ul style="list-style-type: none"> <li>• <a href="#">NX5P2190UK</a>: Logic-Controlled High-Side Power Switch</li> <li>• <a href="#">NX20P5090UK</a>: High-Voltage USB PD Power Switch</li> <li>• <a href="#">NX5P3090UK</a>: USB PD and Type-C Current-Limited Power Switch</li> <li>• <a href="#">NX5P3290UK</a>: USB PD and Type-C Current-Limited Power Switch</li> </ul>
USB PD PHY	<ul style="list-style-type: none"> <li>• <a href="#">PTN5110</a>: USB PD TCPC PHY IC</li> <li>• <a href="#">PTN5150</a>: CC Logic for USB Type-C Applications</li> </ul>
USB PD PHY	<ul style="list-style-type: none"> <li>• <a href="#">PTN5110</a>: USB PD TCPC PHY IC</li> <li>• <a href="#">PTN5150</a>: CC Logic for USB Type-C Applications</li> </ul>
Security (EdgeLock Discrete)	<ul style="list-style-type: none"> <li>• <a href="#">EdgeLock® SE050</a>: Plug &amp; Trust Secure Element Family – Enhanced IoT security with maximum flexibility</li> </ul>
AC/DC	<ul style="list-style-type: none"> <li>• <a href="#">TEA1721AT</a>: HV Start-Up Flyback Controller with Integrated MOSFET for 5 W Applications, F~burst = 430 Hz</li> </ul>
AC/DC	<ul style="list-style-type: none"> <li>• <a href="#">TEA1721AT</a>: HV Start-Up Flyback Controller with Integrated MOSFET for 5 W Applications, F~burst = 430 Hz</li> </ul>

## Shared Power Bank Block Diagram



## Recommended Products for Shared Power Bank

MCU	<ul style="list-style-type: none"><li>• <a href="#">K22_100</a>: Kinetis® K22-100 MHz, Cost Effective, Full-Speed USB Microcontrollers (MCUs) based on Arm® Cortex®-M4 Core</li></ul>
Bluetooth	<ul style="list-style-type: none"><li>• <a href="#">QN908x</a>: Ultra-Low-Power Bluetooth Low Energy System on Chip Solution</li></ul>
Peripherals	<ul style="list-style-type: none"><li>• <a href="#">PCA9535A</a>: Low-Voltage 16-Bit I<sup>2</sup>C-Bus I/O Port with Interrupt</li></ul>

View our complete solution for [Power Adapters and Chargers](#).

**Note:** The information on this document is subject to change without notice.

---

**[www.nxp.com](http://www.nxp.com)**

NXP and the NXP logo are trademarks of NXP B.V. All other product or service names are the property of their respective owners. The related technology may be protected by any or all of patents, copyrights, designs and trade secrets. All rights reserved. © 2021 NXP B.V.