



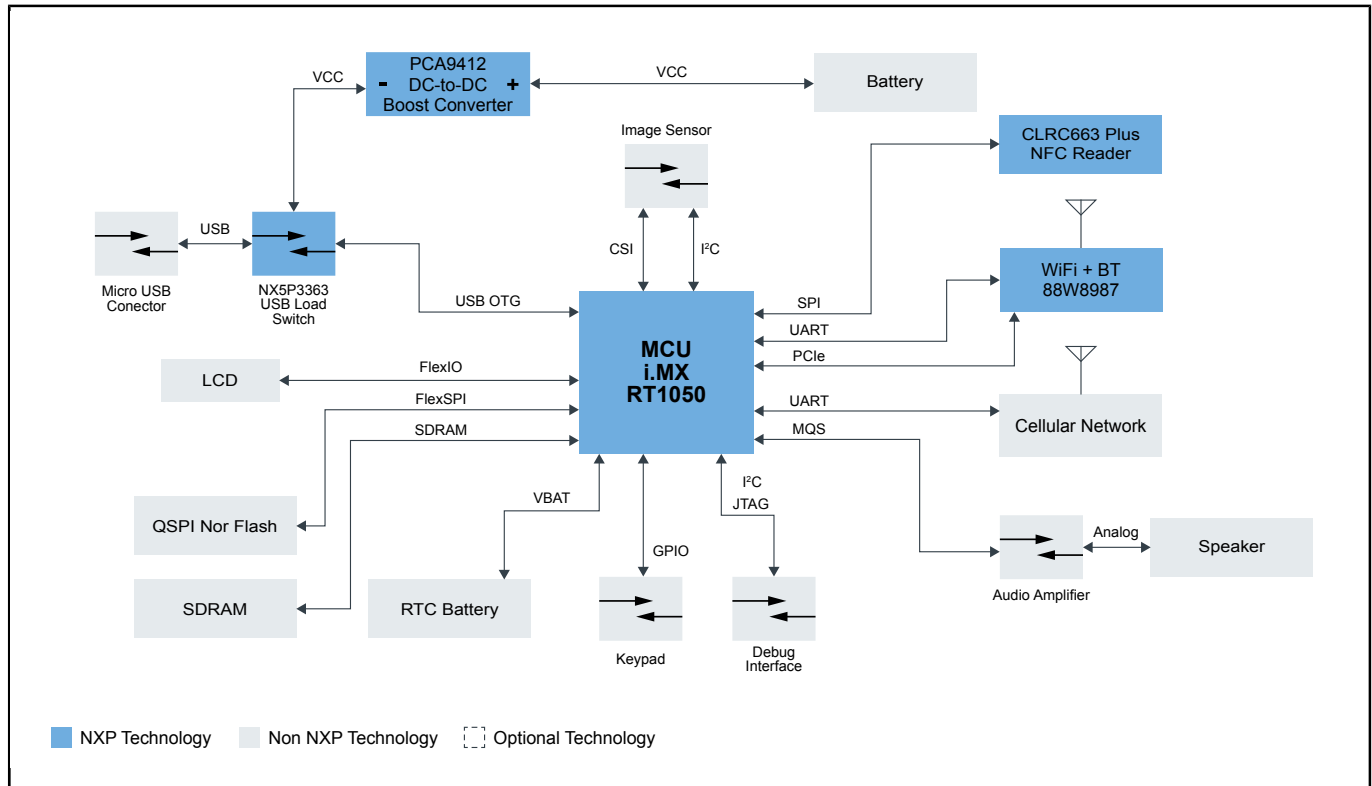
QR Decoder

QR-DECODER

Last Updated: Dec 14, 2024

NXP's i.MX families, Bluetooth® Low Energy and Wi-Fi 6 ICS, NFC and high precision sensors are an excellent technology to power QR Decoder, QR code (abbreviated from Quick Response code) is the trademark for a type of matrix barcode (or two-dimensional barcode) first designed in 1994 for the automotive industry in Japan, a barcode is a machine-readable optical label that contains information about the item to which it is attached.

QR Decoder Block Diagram



View additional information for [QR Decoder](#).

Note: The information on this document is subject to change without notice.

www.nxp.com

NXP and the NXP logo are trademarks of NXP B.V. All other product or service names are the property of their respective owners. The related technology may be protected by any or all of patents, copyrights, designs and trade secrets. All rights reserved. © 2025 NXP B.V.