



# Rapid-IOT to Drone Adapter Board

## RDDRONE-IoT

Last Updated: Jun 8, 2023

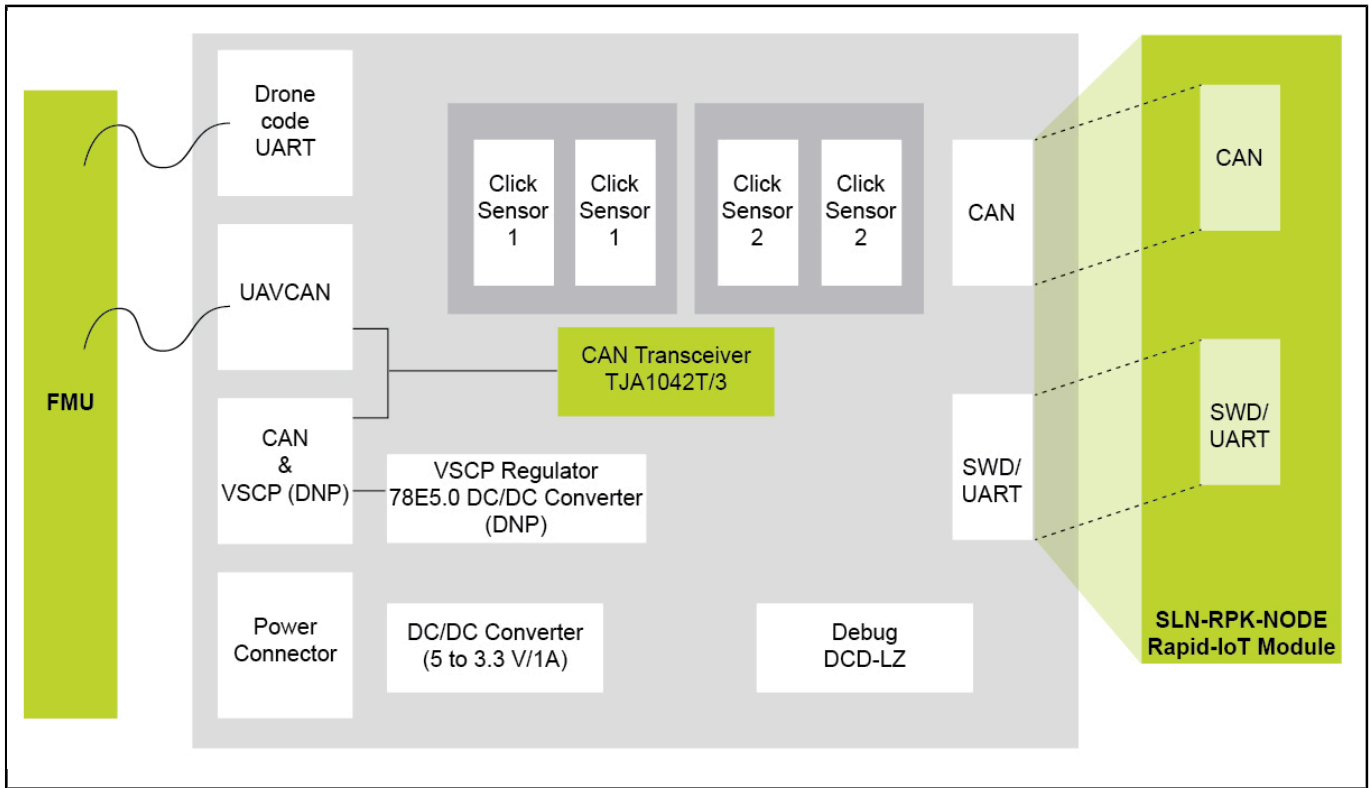
The RDDRONE-IOT or HoverGames drone IoT adapter board (HDIB) provides a CAN and serial interface between the popular NXP [RAPID-IOT development kit](#) and the [RDDRONE-FMUK66](#) or any other PX4 enabled flight controller (such as PixHawk). This allows the Rapid-IoT to be used as a peripheral, sensor, 802.15.4 Zigbee/Thread radio, LCD display or controller to a drone or rover.

With over 950 additional click modules available, you can quickly plug in anything from a gas sensor, LED array or LoRa radio module.

### Note:

- This is a developer board with several optional circuit paths that may require soldering jumpers to configure to your requirements. Consult the schematics for the optional configurations.
- This board can also be used as a VSCP.org CAN development tool with the addition of one regulator.

# RDDRONE-IoT Block Diagram Block Diagram



View additional information for [Rapid-IOT to Drone Adapter Board](#).

**Note:** The information on this document is subject to change without notice.

**www.nxp.com**

NXP and the NXP logo are trademarks of NXP B.V. All other product or service names are the property of their respective owners. The related technology may be protected by any or all of patents, copyrights, designs and trade secrets. All rights reserved. © 2024 NXP B.V.