



# Residential Gateway

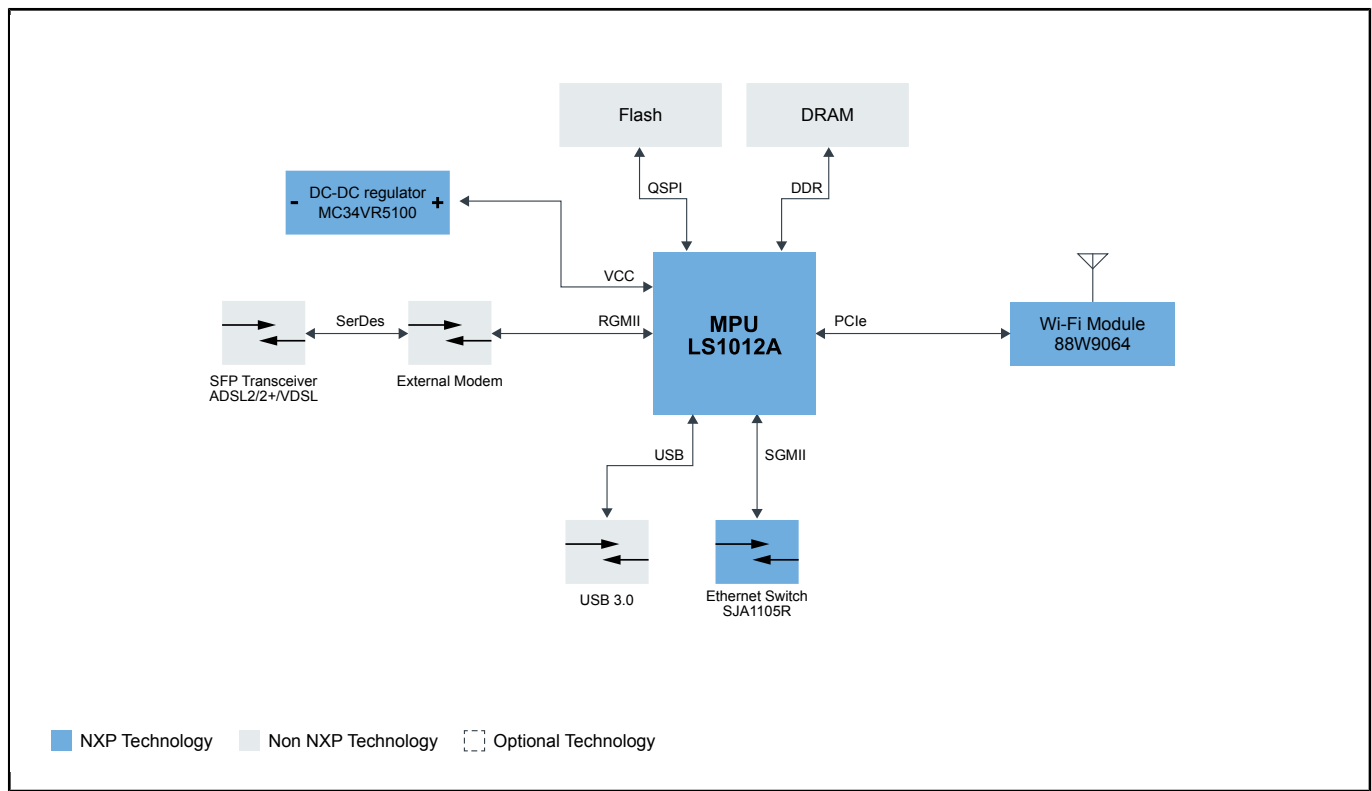
## RESIDENTIAL-GATEWAY

Last Updated: Feb 21, 2023

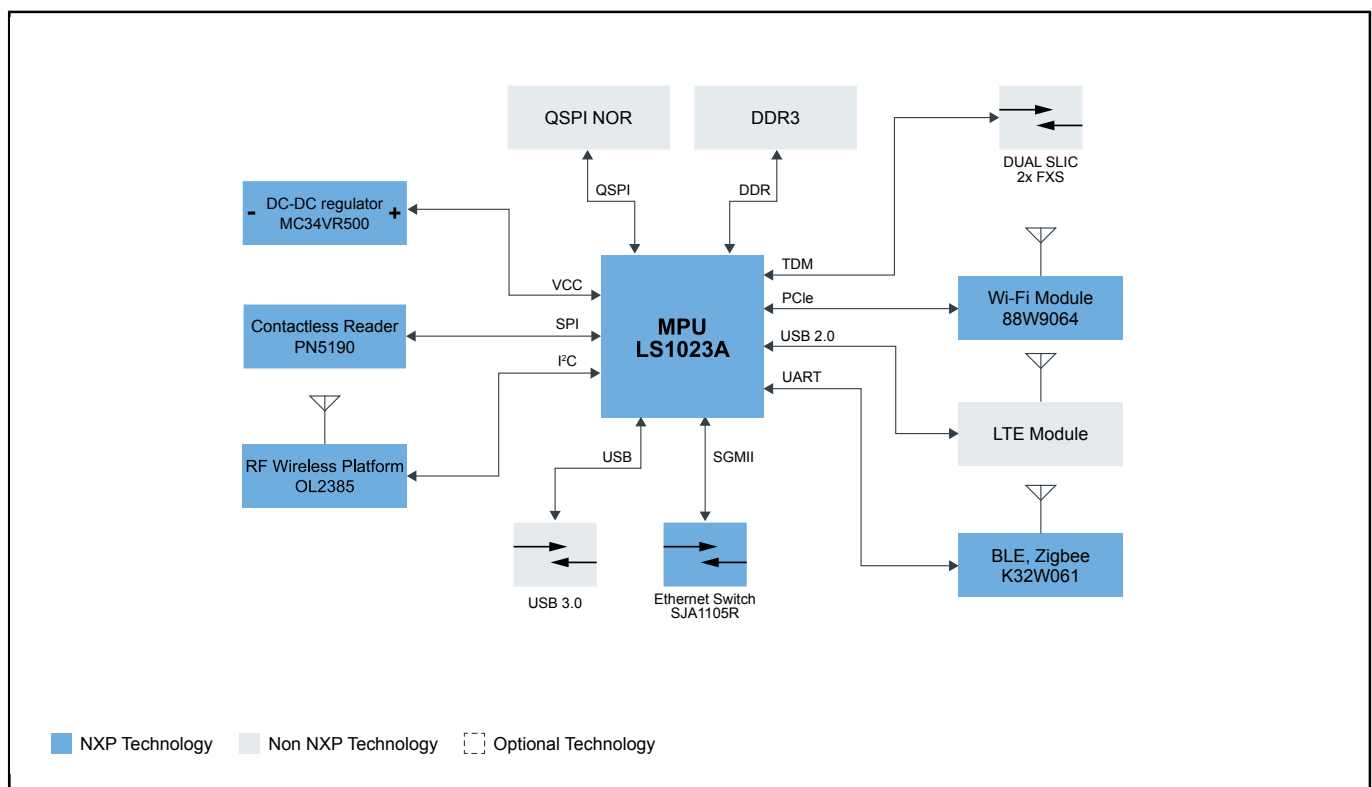
NXP can offer a complete portfolio of solutions for modern residential gateways including gigabit-class network processors with hardware packet processing and QoS, leading-edge Wi-Fi, IOT radios and other supporting devices such as power management ICs.

A broadband (smart home) gateway is an appliance that delivers broadband data, voice, and video services to a home or customer premises. It is the point of entry for Internet services to the home and its performance is key to the quality of experience provided to the end user.

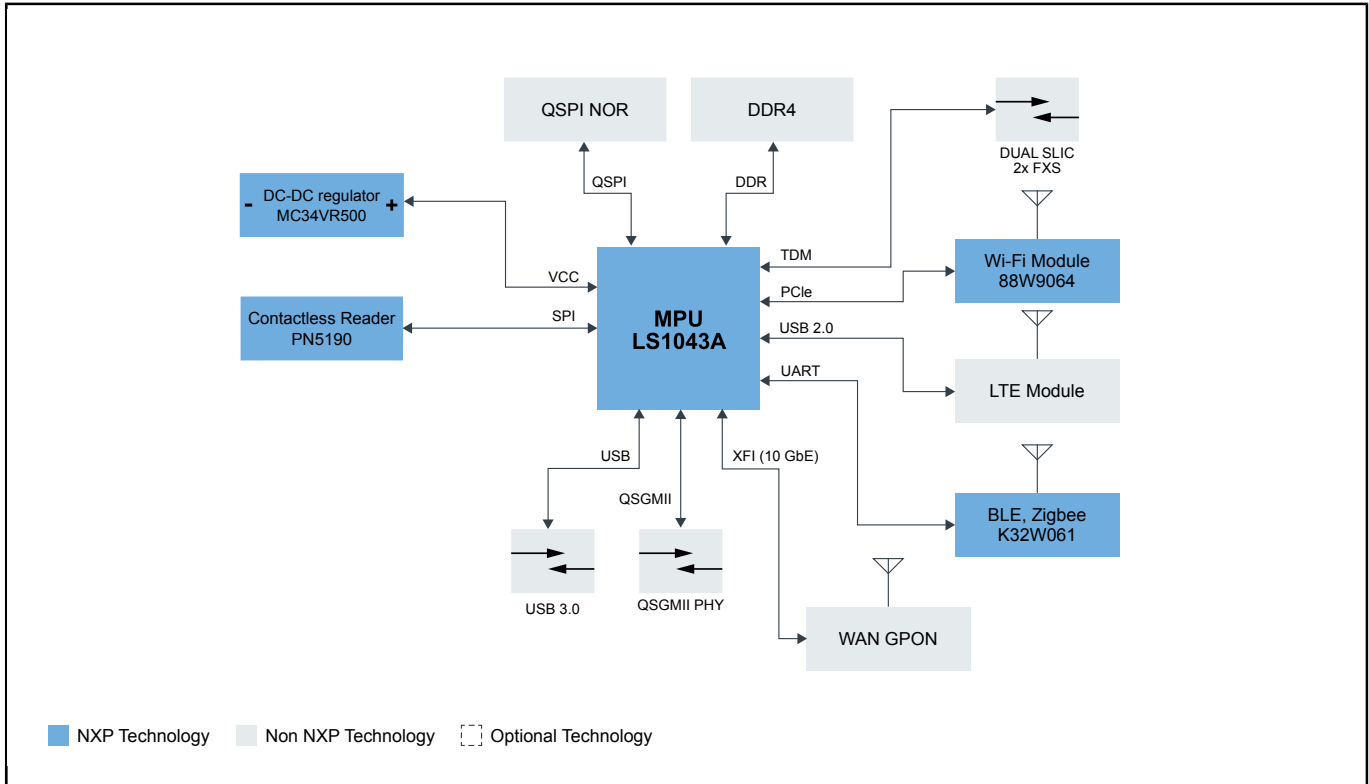
## LS1012A Block Diagram



## LS1023A Block Diagram



# LS1043A Block Diagram



View additional information for [Residential Gateway](#).

**Note:** The information on this document is subject to change without notice.

[www.nxp.com](http://www.nxp.com)

NXP and the NXP logo are trademarks of NXP B.V. All other product or service names are the property of their respective owners. The related technology may be protected by any or all of patents, copyrights, designs and trade secrets. All rights reserved. © 2023 NXP B.V.