



# RF112L0H Transceiver

## RF112L0H

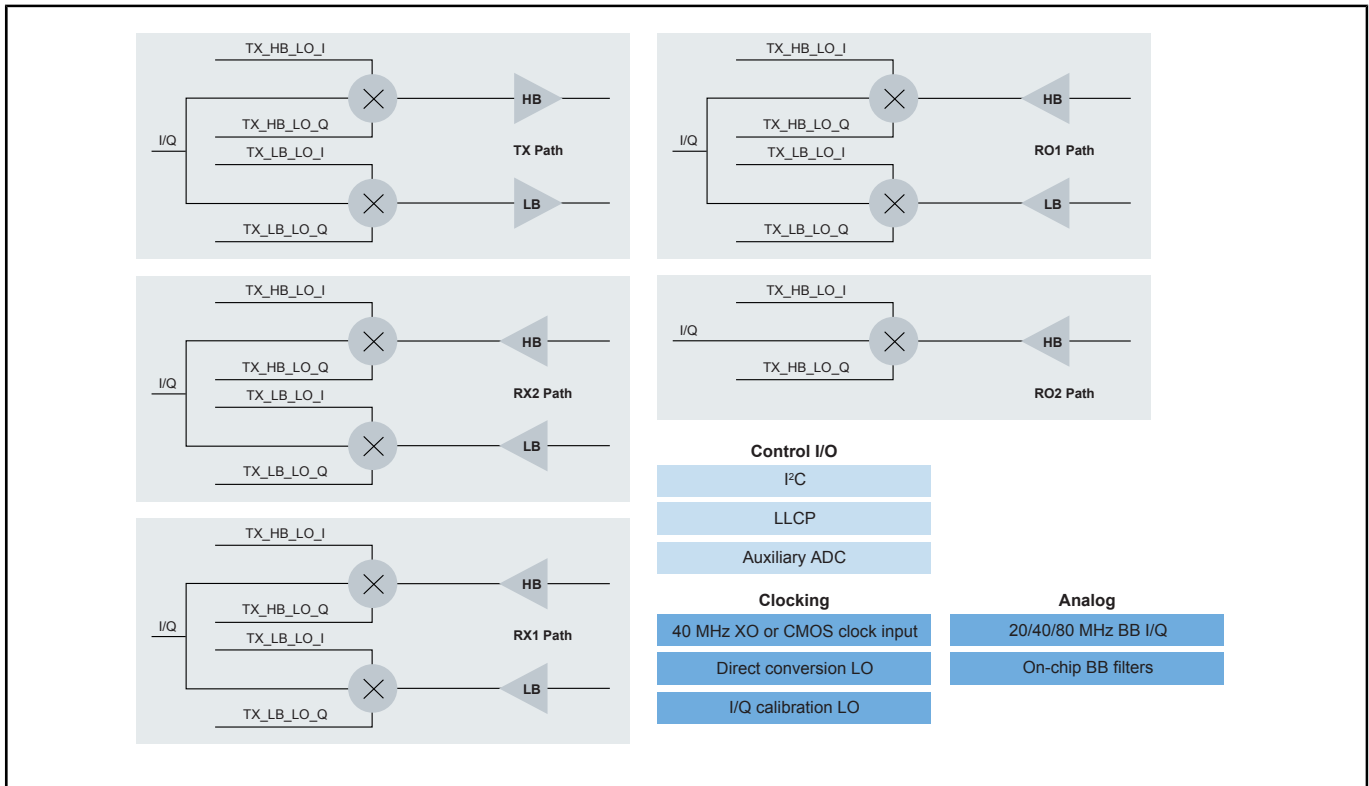
Last Updated: Jun 25, 2024

The RF112L0H Transceiver is a direct baseband to RF (“zero-IF”) transceiver supporting the 2.4GHz and 5GHz Industrial, Medical and Scientific (IMS) bands. It includes: one dual-band 1Tx/2Rx MIMO transceiver, one dual-band observation receiver, and one high-band (only) observation receiver. Higher antenna counts are supported by instantiating multiple devices on a board.

The RF112L0H supports 20, 40 and 80MHz channel bandwidths, baseband I/Q filters and an analog interface to a baseband IC that integrates ADC/DAC functionality. It is compliant to spectral mask requirements. Included is an Automatic Gain Control (AGC) interface with proprietary signaling to NXP baseband devices, integrated clock synthesizer (RF frequency generator), calibration capabilities and an auxiliary ADC for temperature measurements or similar functions. The device is digitally controlled through I2C.

The RF112L0H is very low-power and packaged in a cost-optimized 64-pin QFN form-factor.

# RF112L0H Transceiver Block Diagram



View additional information for [RF112L0H Transceiver](#).

**Note:** The information on this document is subject to change without notice.

[www.nxp.com](http://www.nxp.com)

NXP and the NXP logo are trademarks of NXP B.V. All other product or service names are the property of their respective owners. The related technology may be protected by any or all of patents, copyrights, designs and trade secrets. All rights reserved. © 2024 NXP B.V.