



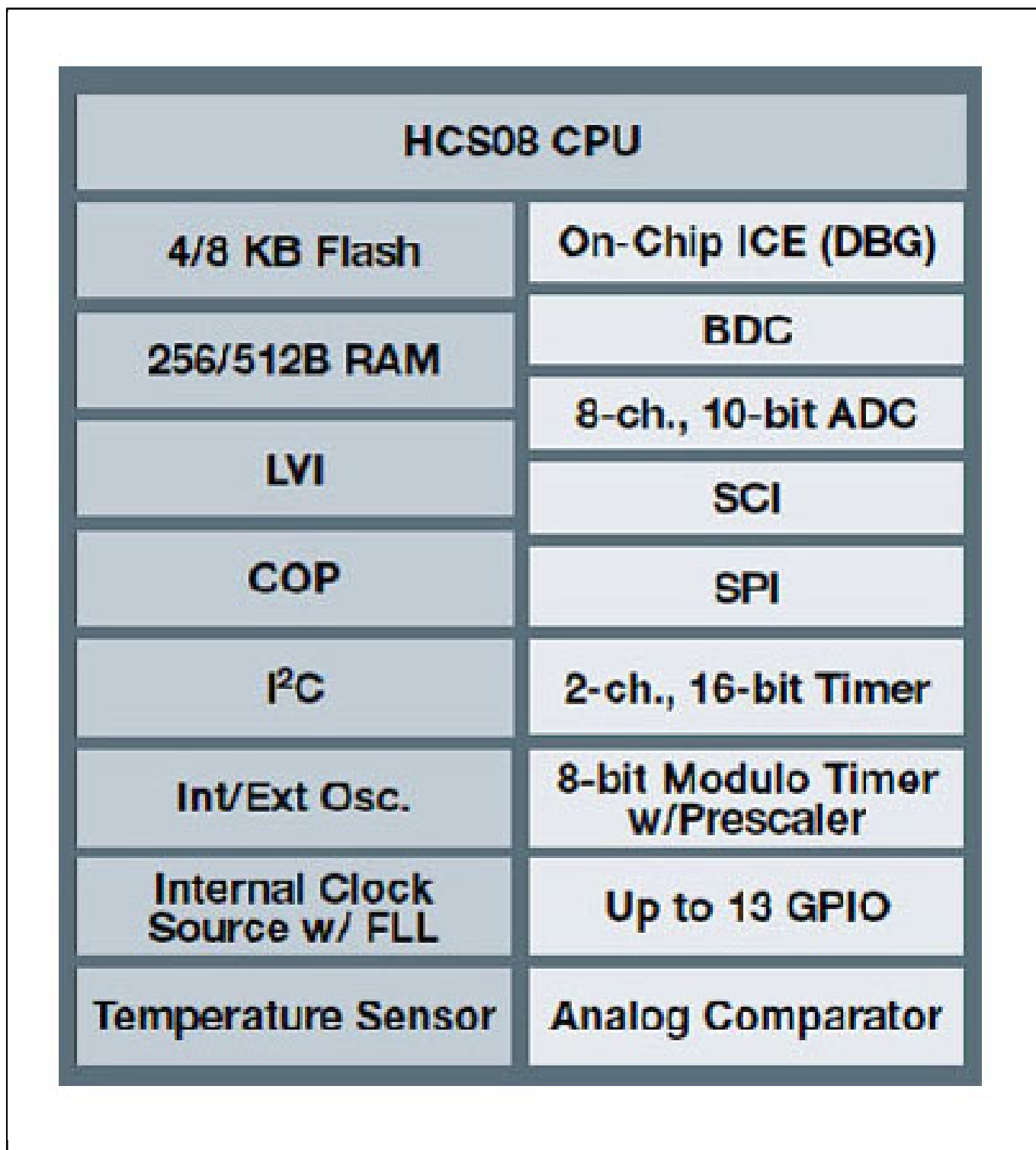
# 8-bit Small Package QG MCUs

## S08QG

Last Updated: Mar 5, 2025

The S08QG Family of microcontrollers provide a wide variety of serial interfaces and peripherals, normally found in higher-end devices, all in a small package. Featuring low-power [S08](#) 8-bit architecture, S08QG devices are a good fit for battery-powered devices.

## NXP S08QG Microcontroller Block Diagram Block Diagram



View additional information for [8-bit Small Package QG MCUs](#).

Note: The information on this document is subject to change without notice.

**[www.nxp.com](http://www.nxp.com)**

NXP and the NXP logo are trademarks of NXP B.V. All other product or service names are the property of their respective owners. The related technology may be protected by any or all of patents, copyrights, designs and trade secrets. All rights reserved. © 2025 NXP B.V.