



SMBus-Compatible, 8-Pin, Remote/ Local Digital Temperature Sensor

SA56004X

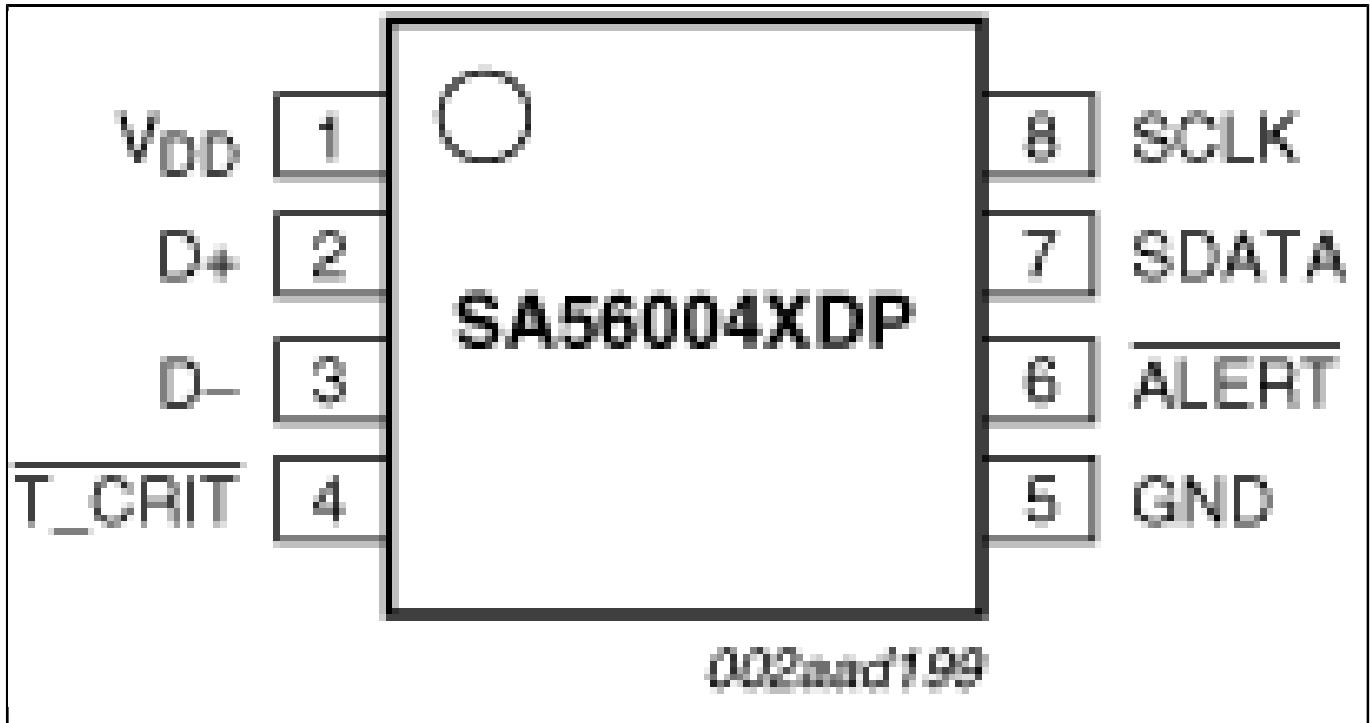
Last Updated: Sep 5, 2022

The NXP Semiconductors SA56004X is an SMBus compatible, 11-bit remote/local digital temperature sensor with over-temperature alarms. The remote channel of the SA56004X monitors a diode junction, such as a substrate PNP of a microprocessor or a diode connected transistor such as the 2N3904 (NPN) or 2N3906 (PNP). With factory trimming, remote sensor accuracy of ± 1 °C is achieved.

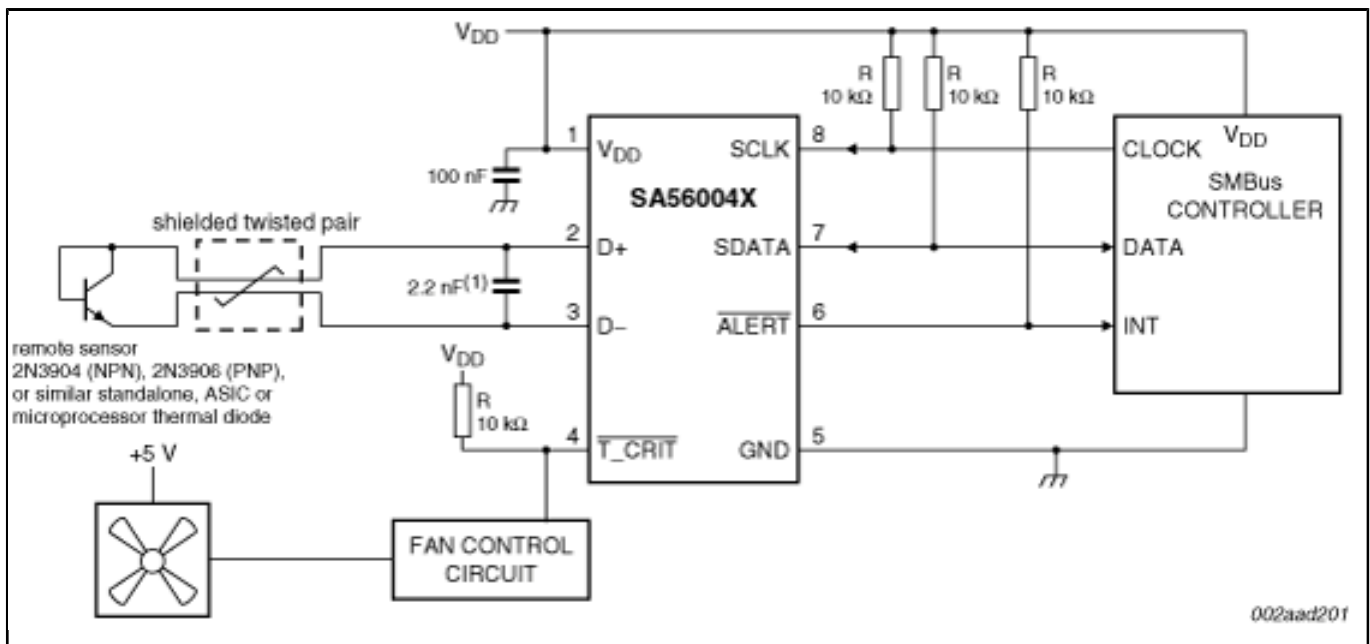
Under-temperature and over-temperature alert thresholds can be programmed to cause the ALERT output to indicate when the on-chip or remote temperature is out of range. This output may be used as a system interrupt or SMBus alert. The T_CRIT output is activated when the on-chip or remote temperature measurement rises above the programmed T_CRIT threshold register value. This output may be used to activate a cooling fan, send a warning or trigger a system shutdown. To further enhance system reliability, the SA56004X employs an SMBus time-out protocol. The SA56004X has a advanced device architecture.

The SA56004X is available in the SO8, TSSOP8 and HVSON8 packages. SA56004X has 8 factory-programmed device address options. The SA56004X is pin-compatible with the LM86, MAX6657/8, and ADM1032.

SA56004X Block Diagram Block Diagram



SA56004X Block Diagram Block Diagram



View additional information for [SMBus-Compatible, 8-Pin, Remote/Local Digital Temperature Sensor](#).

Note: The information on this document is subject to change without notice.



www.nxp.com

NXP and the NXP logo are trademarks of NXP B.V. All other product or service names are the property of their respective owners. The related technology may be protected by any or all of patents, copyrights, designs and trade secrets. All rights reserved. © 2022 NXP B.V.