



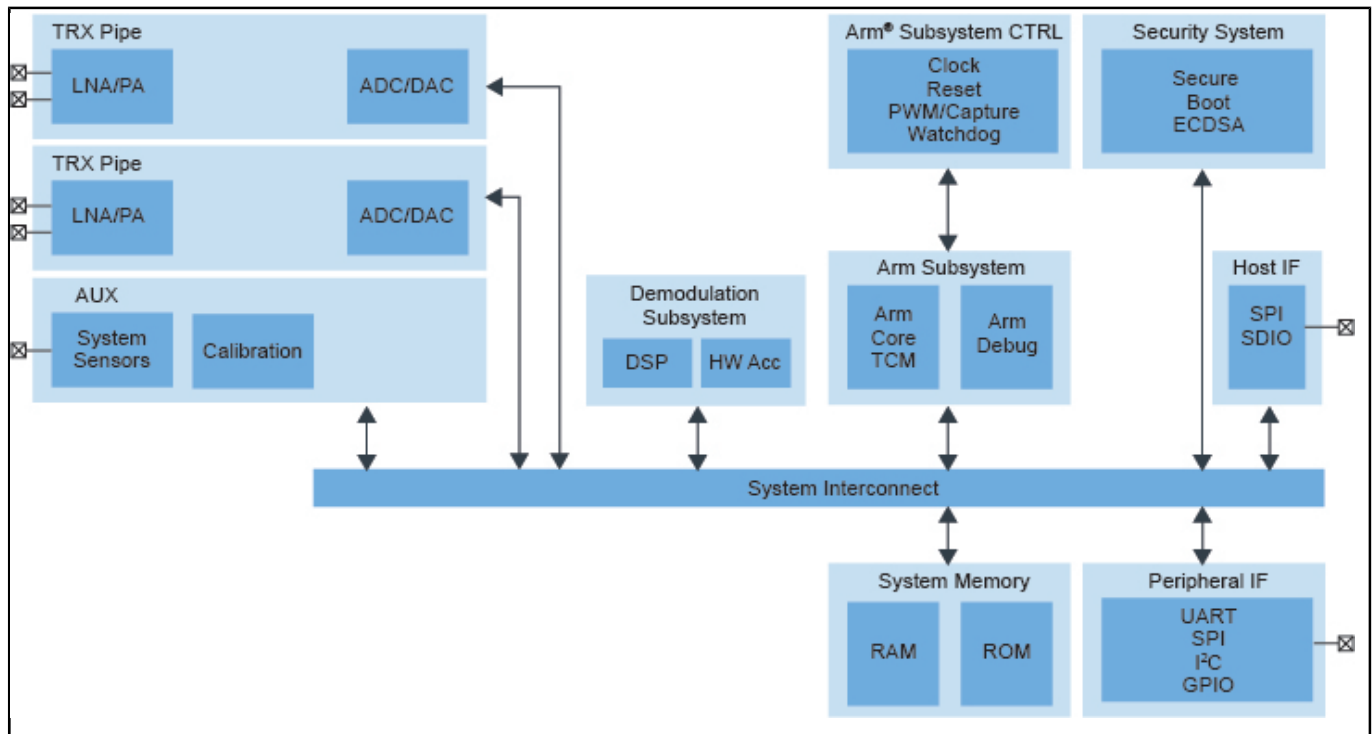
RoadLINK[®] SAF5400 Single Chip Modem for V2X

SAF5400

Last Updated: Aug 11, 2022

The RoadLINK SAF5400 is an automotive-qualified single chip DSRC modem for V2X applications. The SAF5400 modem is able to receive and verify up to 2000 messages per second. High RX/TX quality based on software-defined algorithms on-chip to deliver better range for transmitted and received messages. V2X stacks and applications can be supported by a scalable range of NXP's i.MX applications processors, which is offered as part of the V2X System solution. The SAF5400 also integrates a powerful engine for message verifications to address wireless V2X security requirements.

SAF5400 Single Chip Modem for V2X Block Diagram



View additional information for [RoadLINK® SAF5400 Single Chip Modem for V2X](#).

Note: The information on this document is subject to change without notice.

www.nxp.com

NXP and the NXP logo are trademarks of NXP B.V. All other product or service names are the property of their respective owners. The related technology may be protected by any or all of patents, copyrights, designs and trade secrets. All rights reserved. © 2024 NXP B.V.