



SAF85xx Evaluation Kit with Antenna

SAF85XX-EVK

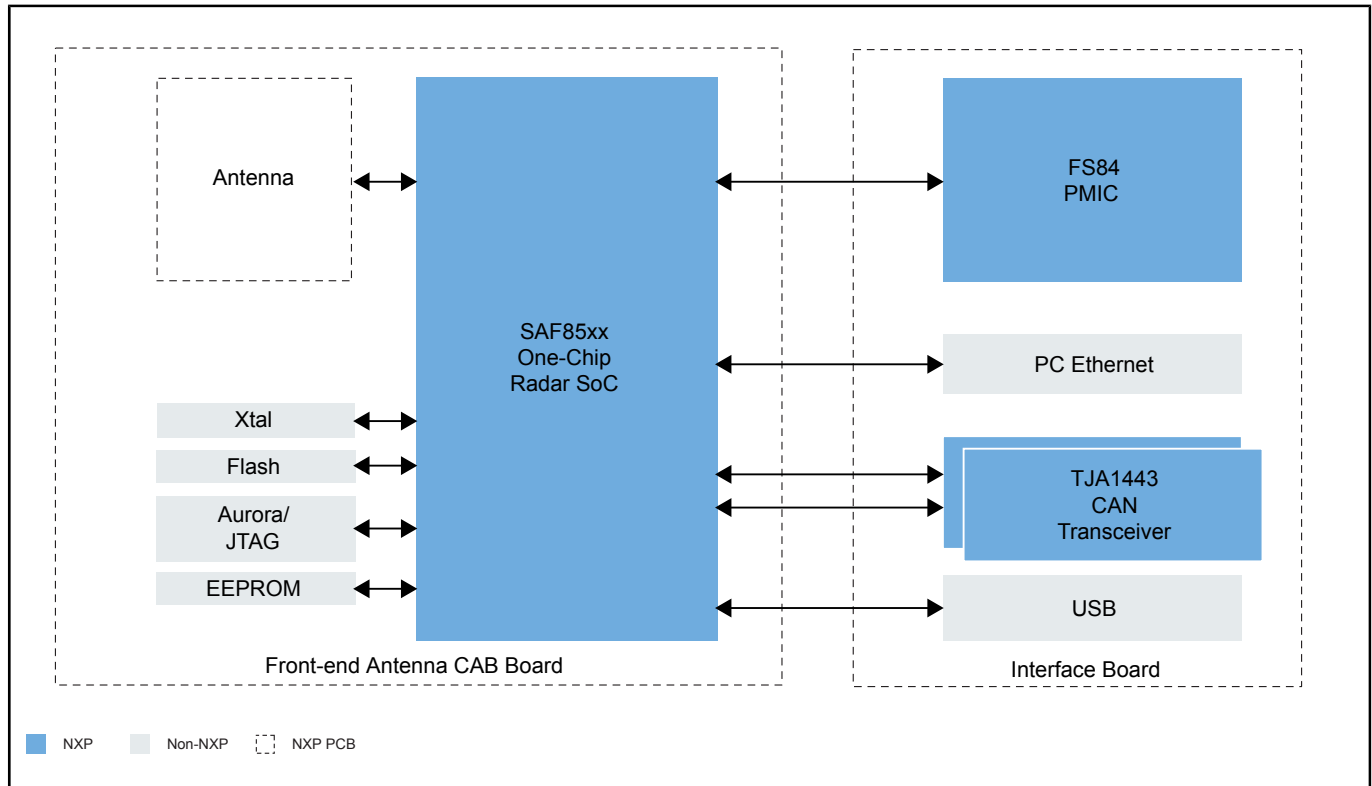
Last Updated: Apr 4, 2024

The SAF85xx evaluation kit supports development of 77GHz radar application and evaluation of SAF85xx one-chip radar SoC for automotive applications. This kit allows evaluation of various radar use cases by flexibly configuring the radar chirps and observing the processed output on a PC. Radar software development and evaluation of a comprehensive set of communication and debug interfaces are enabled by the kit. It consists of a front end antenna board with patch antenna supporting four transmitter and four receivers.

Back-end interface board supports power management and other interfaces to the PC. This evaluation kit can be used for comprehensive application development as well as RF evaluation.

The SAF85xx evaluation kit is available for selected customers with an approved NDA. For additional information, [contact support](#) or your local sales representative.

SAF85xx Evaluation Kit Block Diagram



View additional information for [SAF85xx Evaluation Kit with Antenna](#).

Note: The information on this document is subject to change without notice.

www.nxp.com

NXP and the NXP logo are trademarks of NXP B.V. All other product or service names are the property of their respective owners. The related technology may be protected by any or all of patents, copyrights, designs and trade secrets. All rights reserved. © 2024 NXP B.V.