



SPI to I²C-Bus Interface

SC18IS600_601

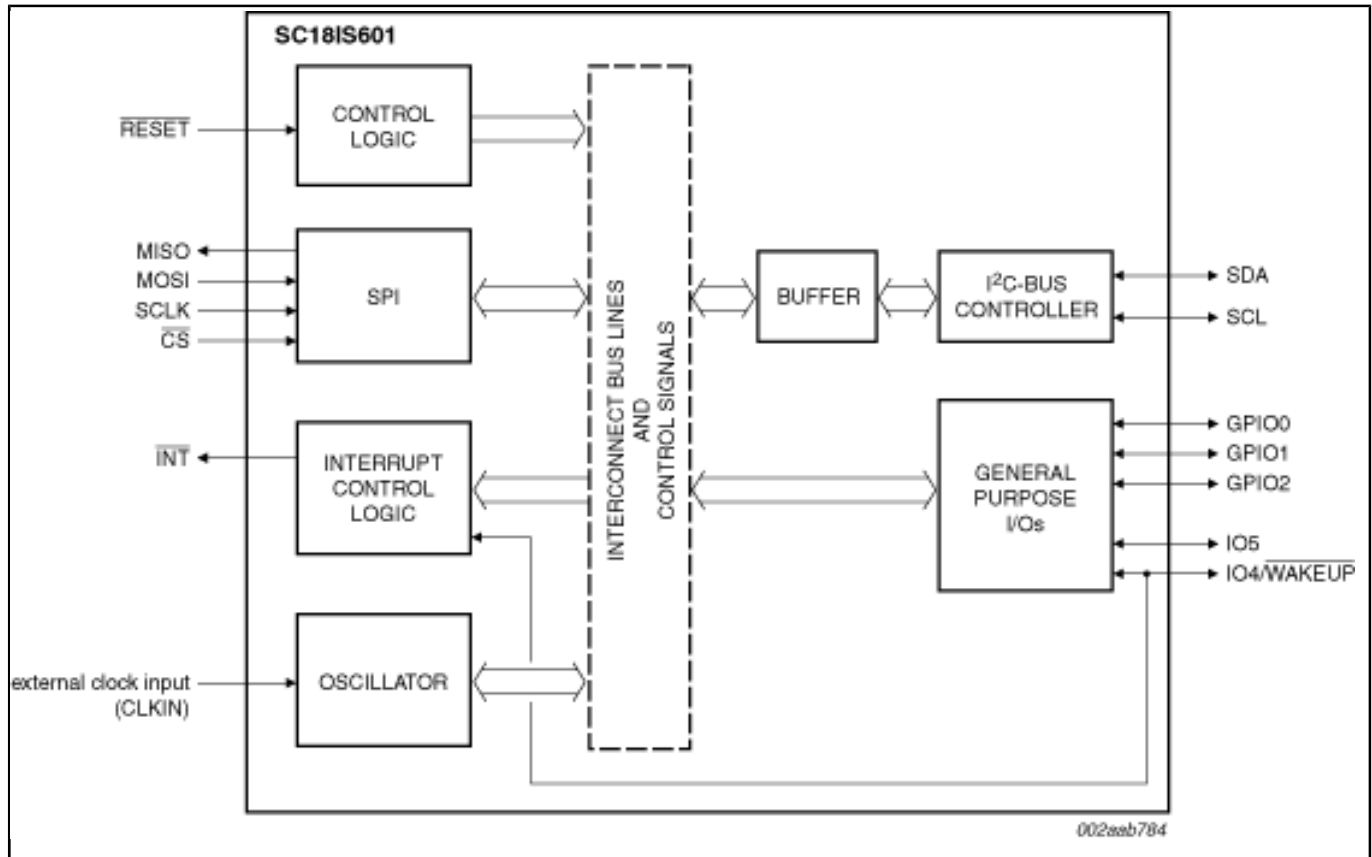
Not Recommended for New Designs

This page contains information on a product that is not recommended for new designs.

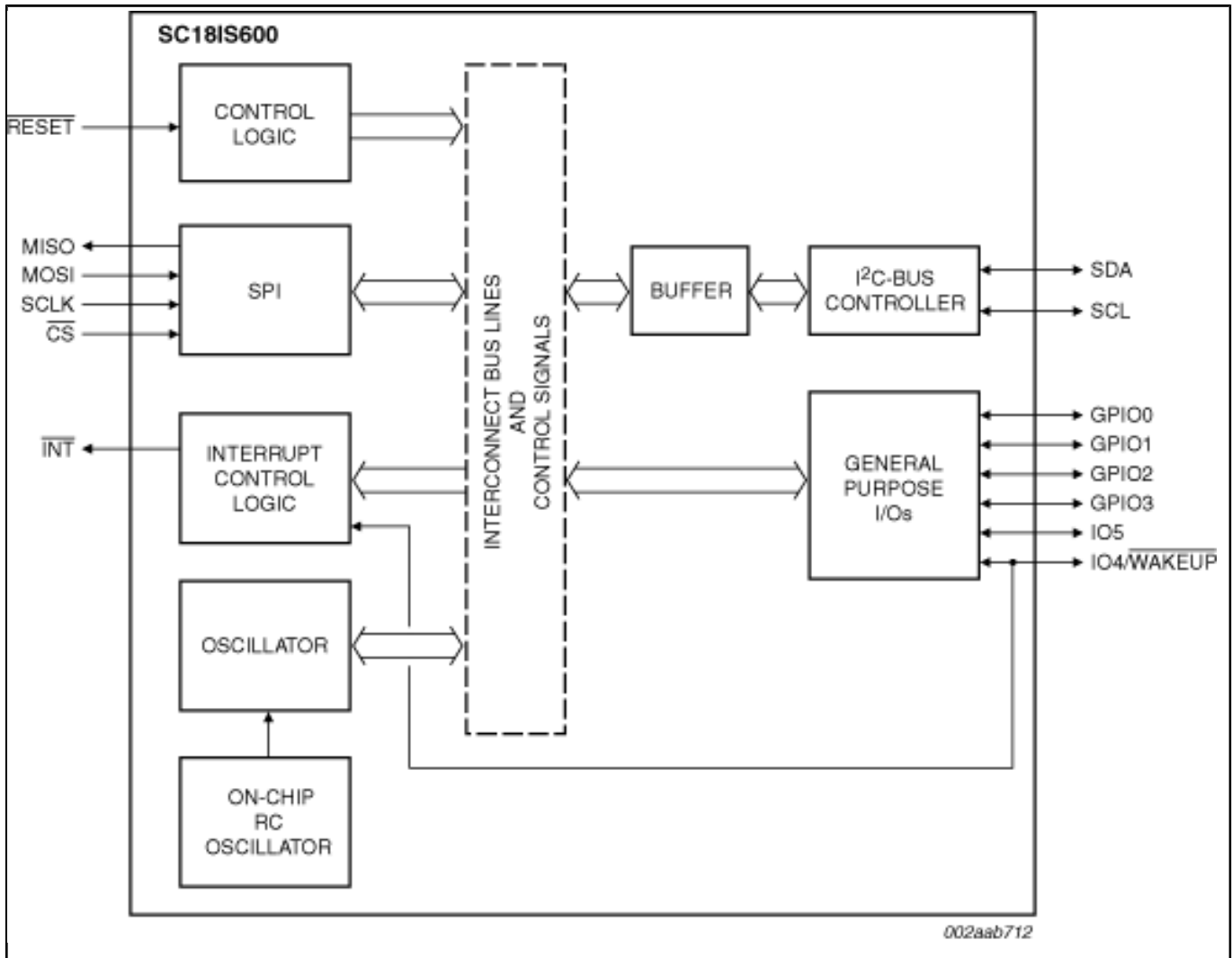
Last Updated: Oct 13, 2023

The SC18IS600 is designed to serve as an interface between the standard SPI of a host (microcontroller, microprocessor, chip set, etc.) and the serial I²C-bus. This allows the host to communicate directly with other I²C-bus devices. The SC18IS600 can operate as an I²C-bus controller-transmitter or controller-receiver. The SC18IS600 controls all the I²C-bus specific sequences, protocol, arbitration and timing.

SC18IS600IPW, SC18IS601IPW Block Diagram



SC18IS600IPW, SC18IS601IPW Block Diagram



View additional information for [SPI to I2C-Bus Interface](#).

Note: The information on this document is subject to change without notice.

www.nxp.com

NXP and the NXP logo are trademarks of NXP B.V. All other product or service names are the property of their respective owners. The related technology may be protected by any or all of patents, copyrights, designs and trade secrets. All rights reserved. © 2024 NXP B.V.