



# I<sup>2</sup>C-Bus to SPI Bridge

## SC18IS602B

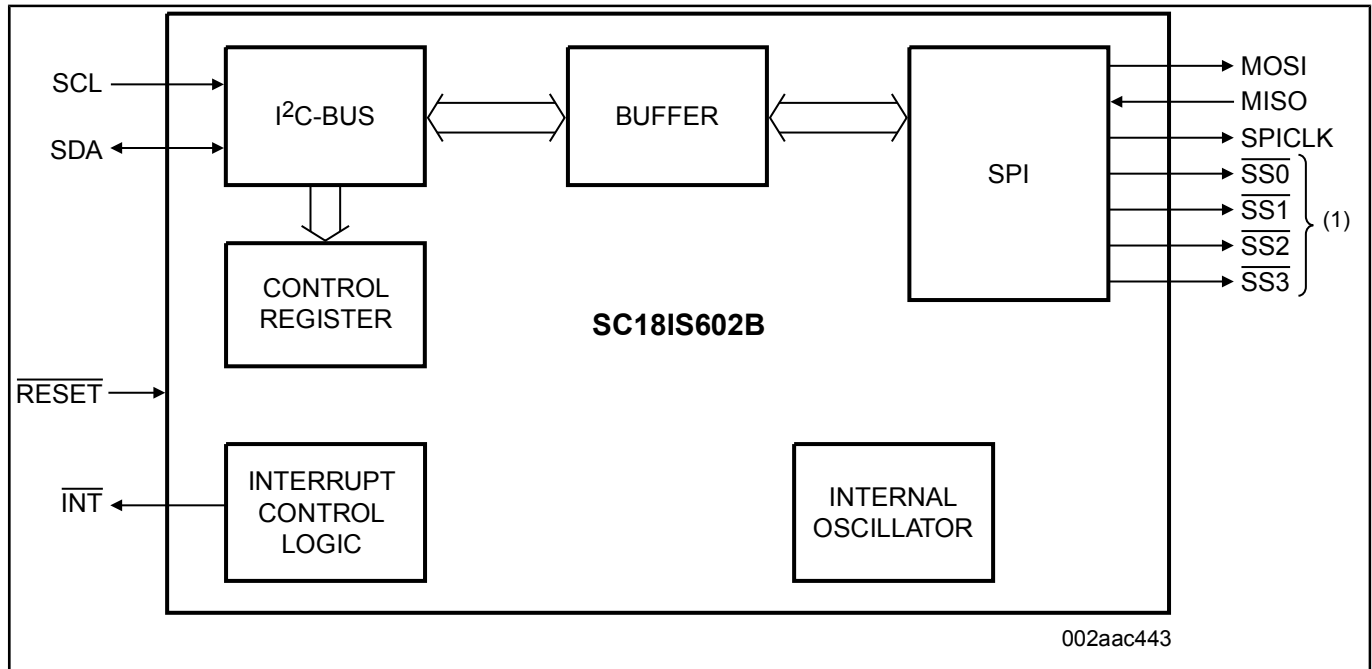
### **Not Recommended for New Designs**

This page contains information on a product that is not recommended for new designs.

Last Updated: Jul 27, 2023

The SC18IS602B is designed to serve as an interface between a standard I<sup>2</sup>C-bus of a microcontroller and an SPI bus. This allows the microcontroller to communicate directly with SPI devices through its I<sup>2</sup>C-bus. The SC18IS602B operates as an I<sup>2</sup>C-bus target-transmitter or target-receiver and an SPI leader. The SC18IS602B controls all the SPI bus-specific sequences, protocol, and timing. The SC18IS602B has its own internal oscillator, and it supports four SPI chip select outputs that may be configured as GPIO when not used.

## SC18IS602B Block Diagram



View additional information for [I<sup>2</sup>C-Bus to SPI Bridge](#).

**Note:** The information on this document is subject to change without notice.

[www.nxp.com](http://www.nxp.com)

NXP and the NXP logo are trademarks of NXP B.V. All other product or service names are the property of their respective owners. The related technology may be protected by any or all of patents, copyrights, designs and trade secrets. All rights reserved. © 2023 NXP B.V.