



# Evaluation Tool for Automotive Sensors

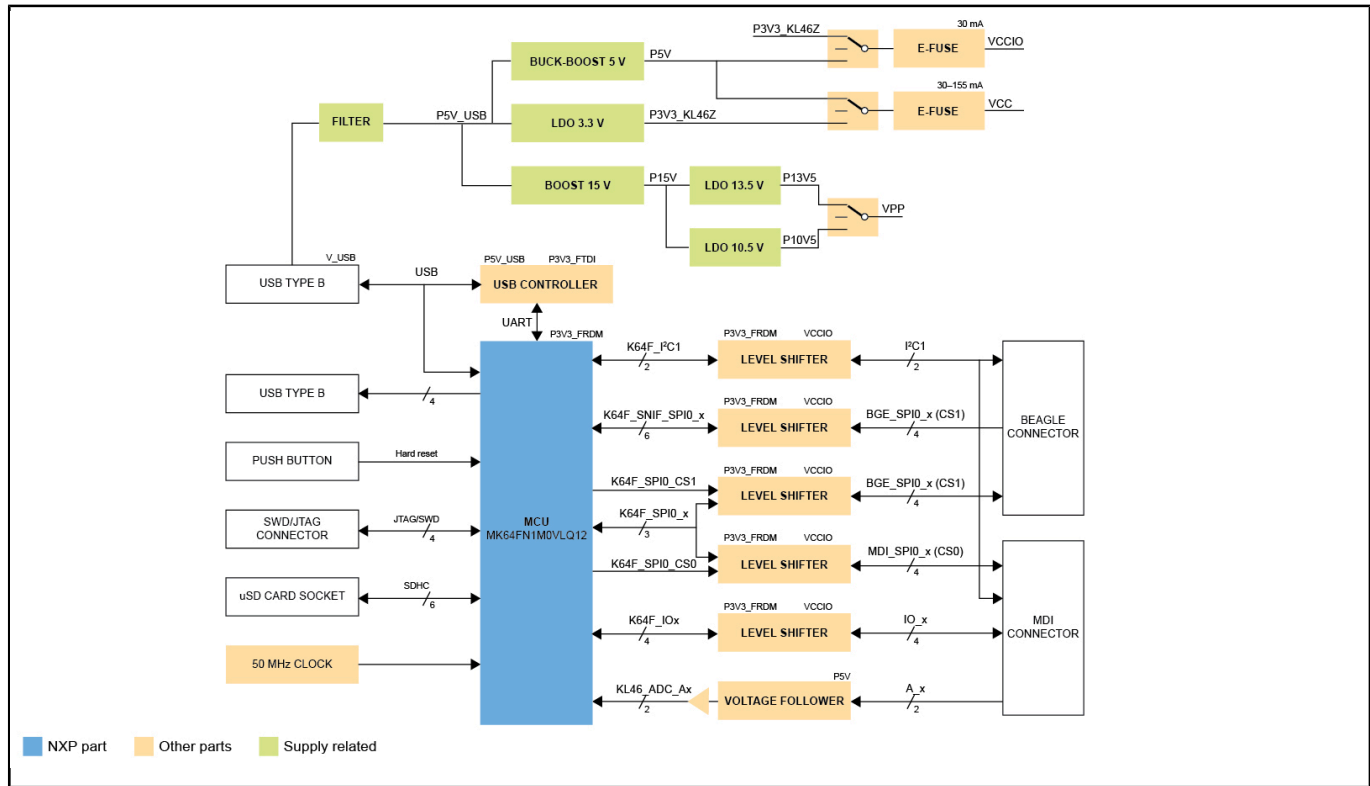
## SEN-SPI-BOX

Last Updated: Dec 11, 2023

The NXP SEN-SPI-BOX kit provides a full-solution of built-in functionalities to communicate with any SPI/I<sup>2</sup>C sensor. The kit graphs real-time data, executes custom scripts and verifies sensor status. The board is a generic SPI/I<sup>2</sup>C evaluation board, compatible with some of the NXP sensor families such as FXLS90xxx automotive digital accelerometers.

Optional adapter boards may be purchased separately to add to the SEN-SPI-BOX kit PSI5 and/or DSI3 capabilities.

# SEN-SPI-BOX Block Diagram Block Diagram



View additional information for [Evaluation Tool for Automotive Sensors](#).

**Note:** The information on this document is subject to change without notice.

[www.nxp.com](http://www.nxp.com)

NXP and the NXP logo are trademarks of NXP B.V. All other product or service names are the property of their respective owners. The related technology may be protected by any or all of patents, copyrights, designs and trade secrets. All rights reserved. © 2024 NXP B.V.