



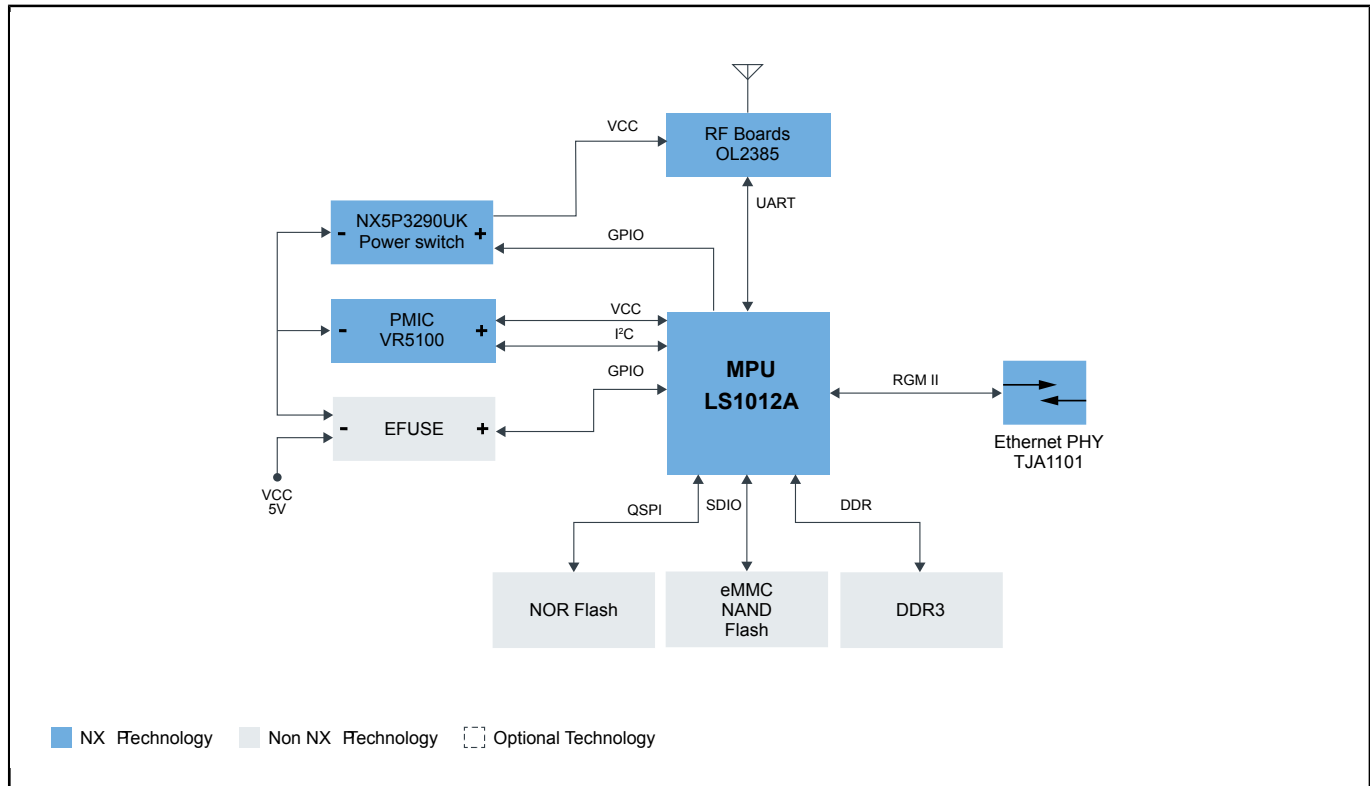
Sigfox Base Station

SIGFOX-BASE-STATION

Last Updated: Dec 14, 2024

NXP's OL2385 wireless sub-GHz transceiver enables seamless communication into the Sigfox 0G network. Combined with other NXP key technologies, such as RFID, NFC, WIFI/BLE and sensors, NXP enables customers to build sensor node data collection for tagging and tracking applications utilizing the global Sigfox network infrastructure.

Sigfox Base Station Block Diagram



View additional information for [Sigfox Base Station](#).

Note: The information on this document is subject to change without notice.

www.nxp.com

NXP and the NXP logo are trademarks of NXP B.V. All other product or service names are the property of their respective owners. The related technology may be protected by any or all of patents, copyrights, designs and trade secrets. All rights reserved. © 2025 NXP B.V.