



UCODE 8/8m

SL3S1205-15

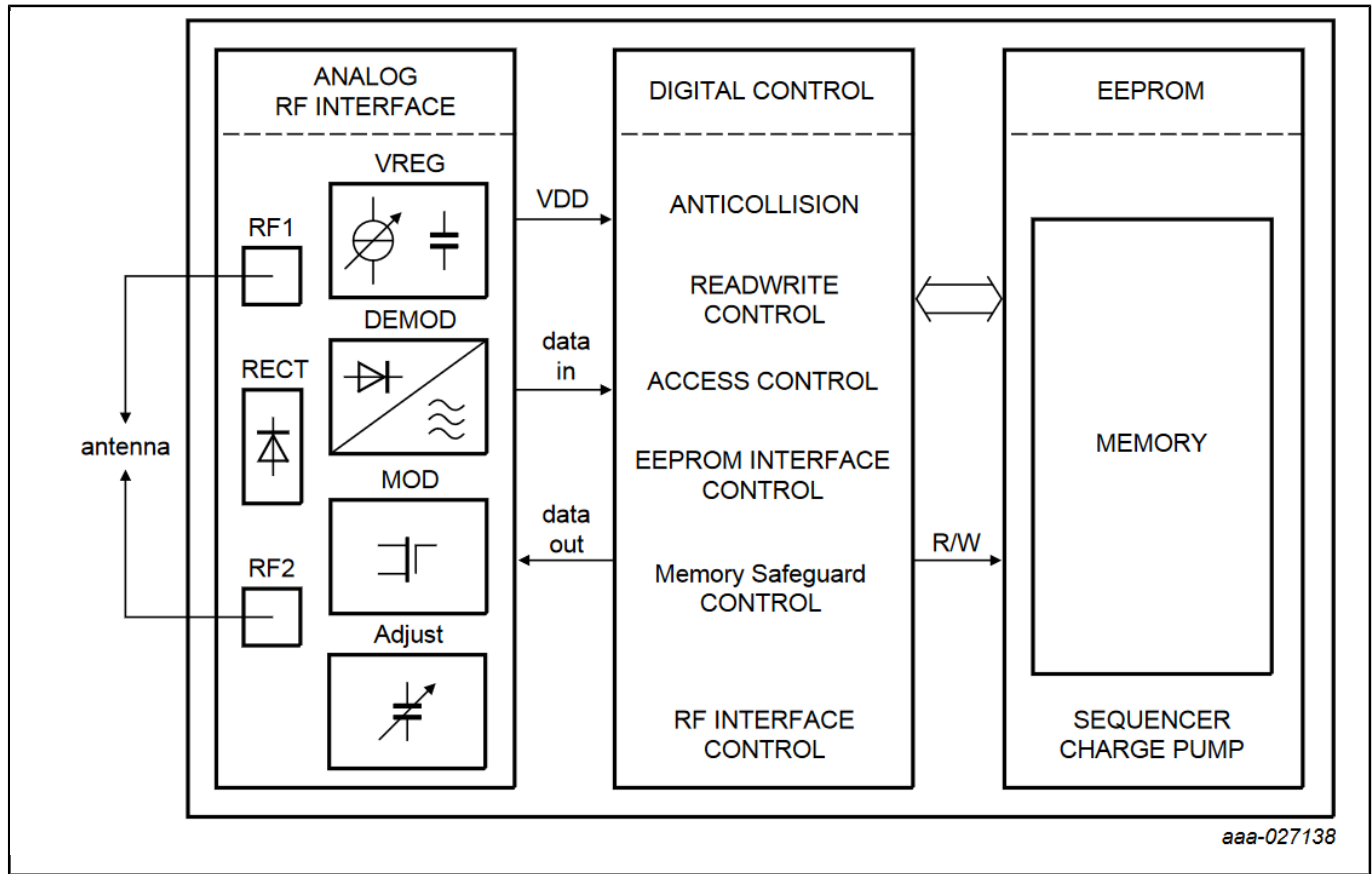
Last Updated: Dec 21, 2022

NXP's UCODE 8 and UCODE 8m ICs are products of the UCODE family. UCODE 8/8m offer high performance and features for use in the most demanding RFID tagging applications.

Particularly well suited for inventory management applications, like e.g Retail and Fashion, with its proven RF performance for any given form factor, UCODE 8/8m enables long read distance and fast inventory of dense RFID tag population. With its broadband design, it offers the possibility to manufacture true global RFID label with high performance over worldwide regulations.

The device also provides an Self Adjust Feature, a Product Status Flag for Electronic Article Surveillance (EAS) application, pre-serialized 96-bit EPC, Brand Identifier and the EPC Gen2v2 compliant Untraceable command.

UCODE 8/8m Block Diagram Block Diagram



View additional information for [UCODE 8/8m](#).

Note: The information on this document is subject to change without notice.

www.nxp.com

NXP and the NXP logo are trademarks of NXP B.V. All other product or service names are the property of their respective owners. The related technology may be protected by any or all of patents, copyrights, designs and trade secrets. All rights reserved. © 2024 NXP B.V.