



# Smart Access Platform Solution

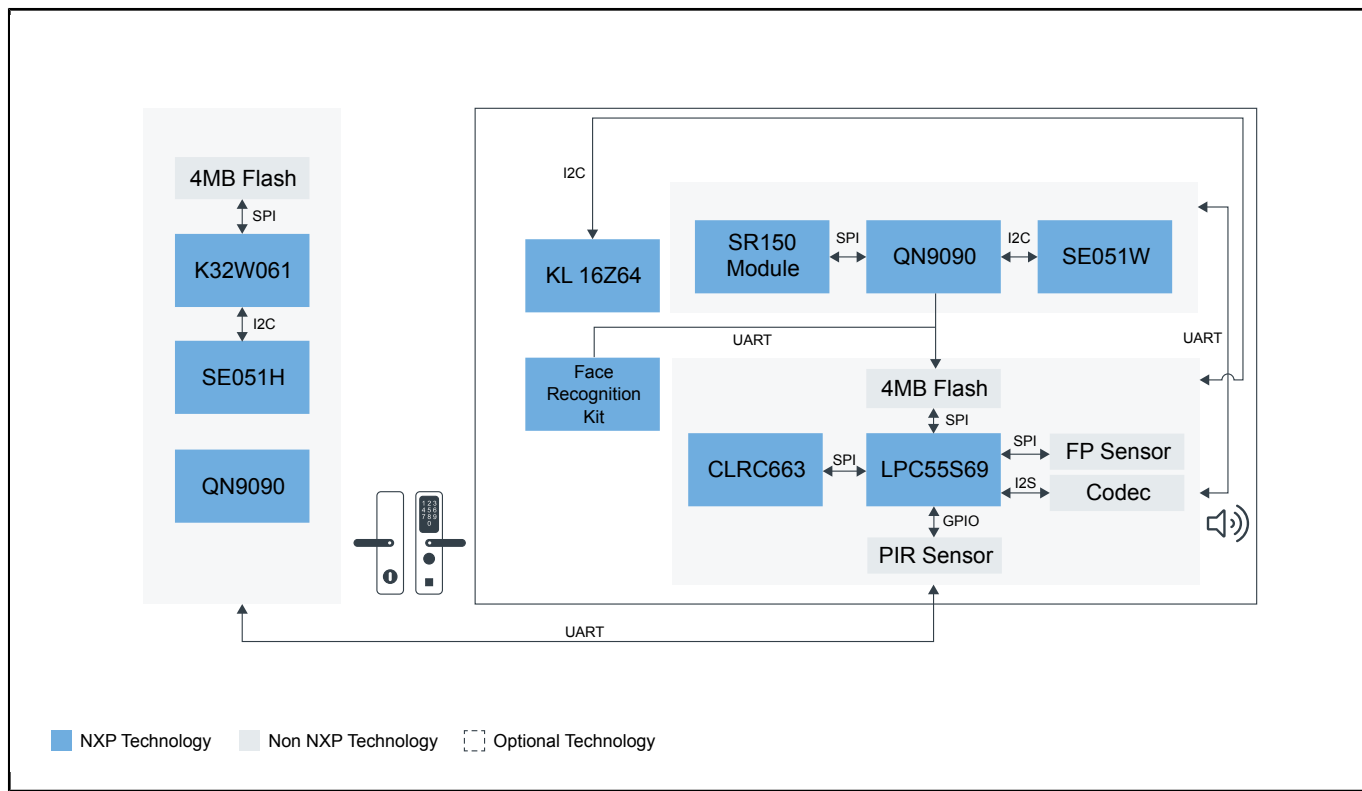
## SMART-ACCESS-PLATFORM

Last Updated: Feb 2, 2023

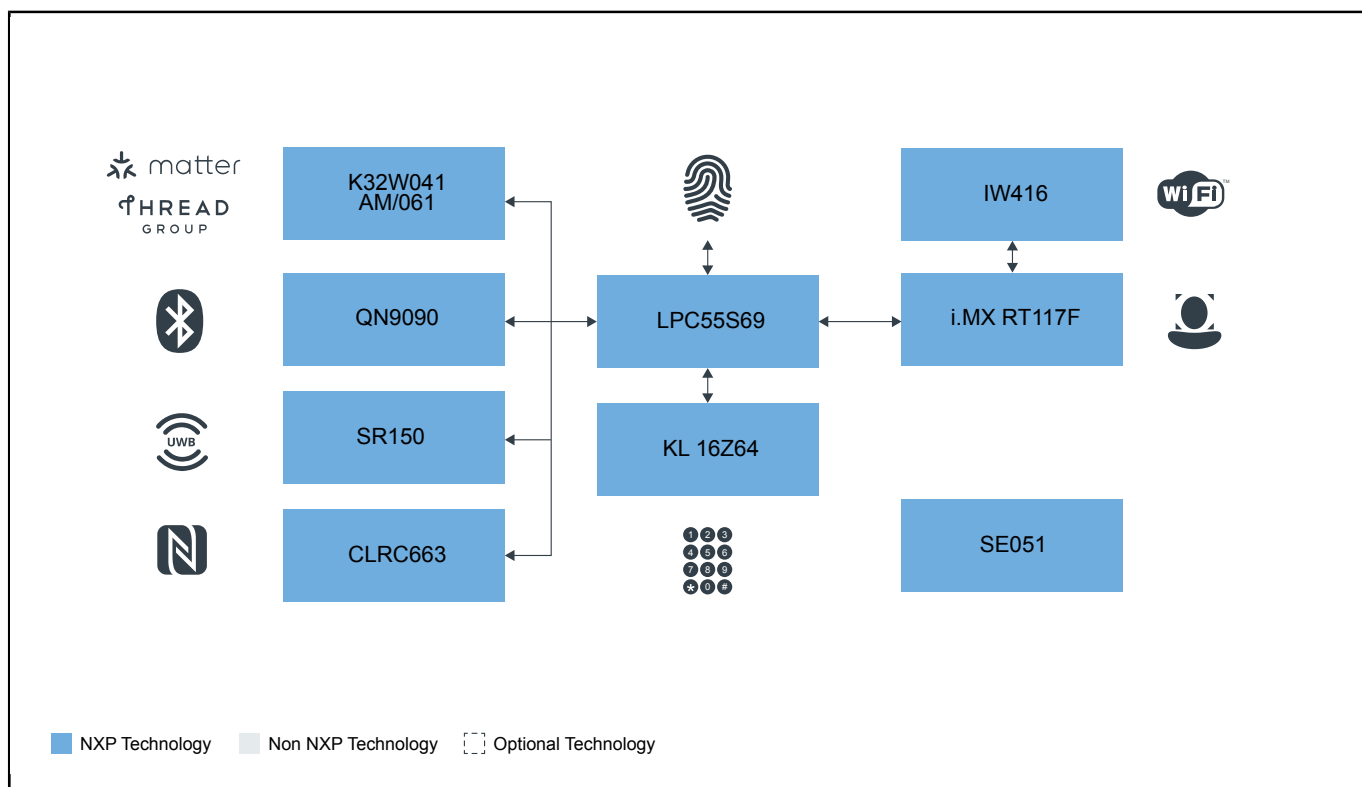
The Smart Access Platform showcases NXP's smart access control technologies in a modular fashion to demonstrate multiple use cases. This solution is based on Matter, UWB, face recognition, NFC, fingerprint and password that can all be used either as a standalone or in combination for enabling multi-factor security. The modularity and flexibility of this platform empowers you to select the technologies needed for your product's security, connectivity and cost requirements

The Smart Access Platform integrates multiple smart lock solutions which include pin pad and fingerprint matching algorithm running on high-efficiency LPC55S69 MCU, NXP's Edge Ready turnkey face recognition solution based on iMXRT106F/iMXRT117F crossover MCUs and a variety of connectivity options, which include K32W041 Matter over Thread, QN9090 Bluetooth Low Energy solution, SR150 secure UWB solution for IoT devices and CLRC663 low-power NFC solution.

## Hardware Block Diagram



## Smart Access Platform Solution Block Diagram Block Diagram



View additional information for [Smart Access Platform Solution](#).

**Note:** The information on this document is subject to change without notice.

---

**[www.nxp.com](http://www.nxp.com)**

NXP and the NXP logo are trademarks of NXP B.V. All other product or service names are the property of their respective owners. The related technology may be protected by any or all of patents, copyrights, designs and trade secrets. All rights reserved. © 2023 NXP B.V.