



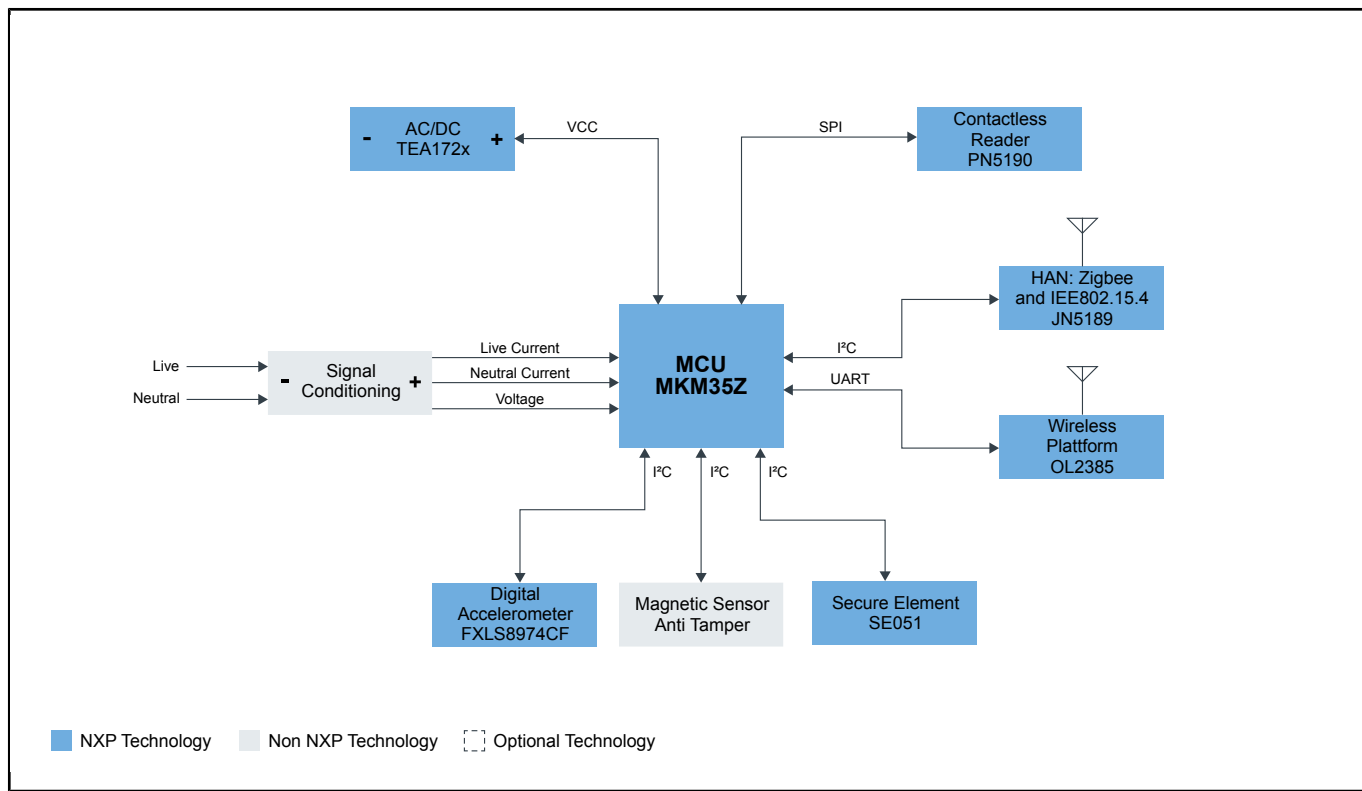
Smart Electricity Meter

SMART-ELECTRICITY-METER

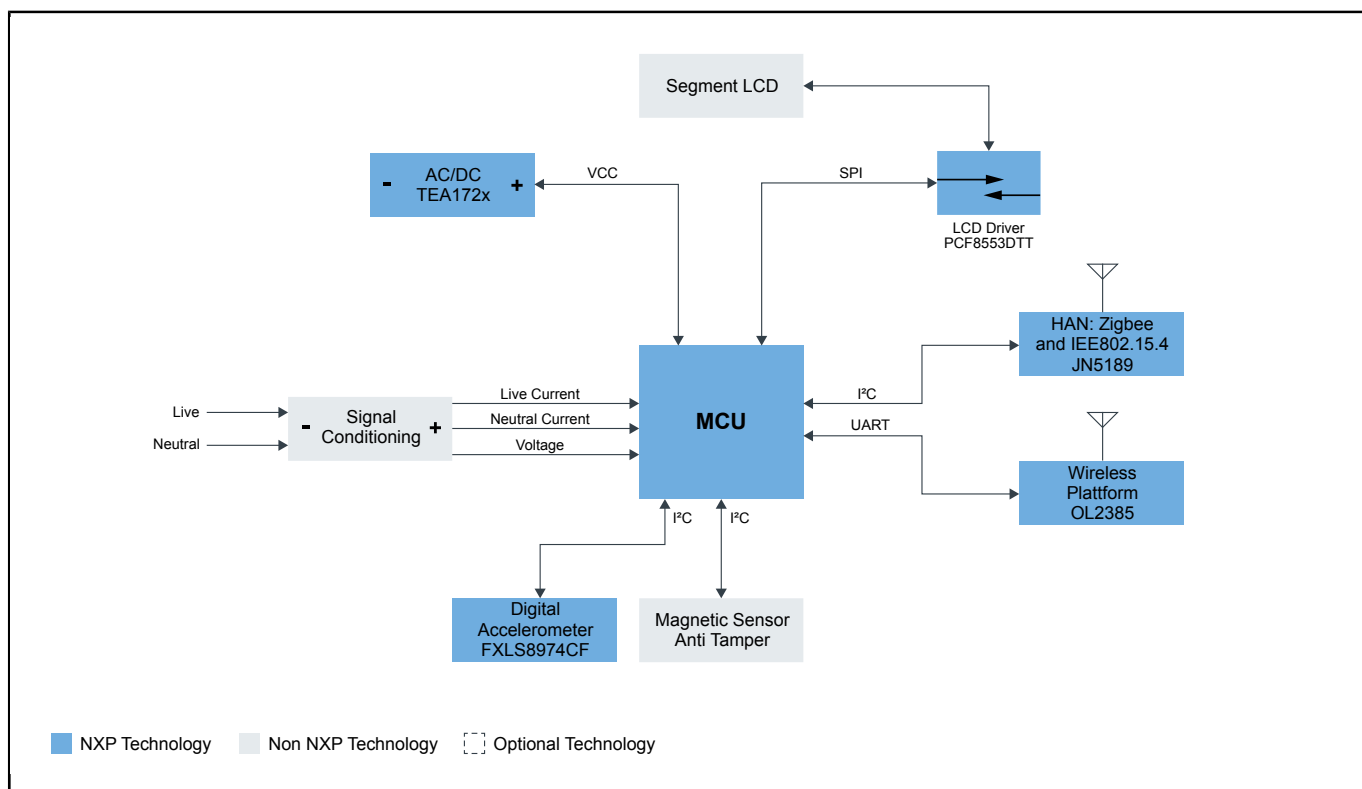
Last Updated: Feb 21, 2023

NXP metering technology enables one-phase, two-phase, and three-phase electricity meters used for measurement and registration of active, reactive, and apparent energy in residential and commercial metering applications. Along with its connectivity solutions for smart metering – like IEEE 802.15.4, ZigBee and Bluetooth® Low Energy - NXP addresses the challenges smart cities face for reliable, secure communications for remote metering and home energy management. With the growing consumption of energy worldwide, particularly in the residential market, utility providers need increasingly accurate and cost-effective energy metering solutions.

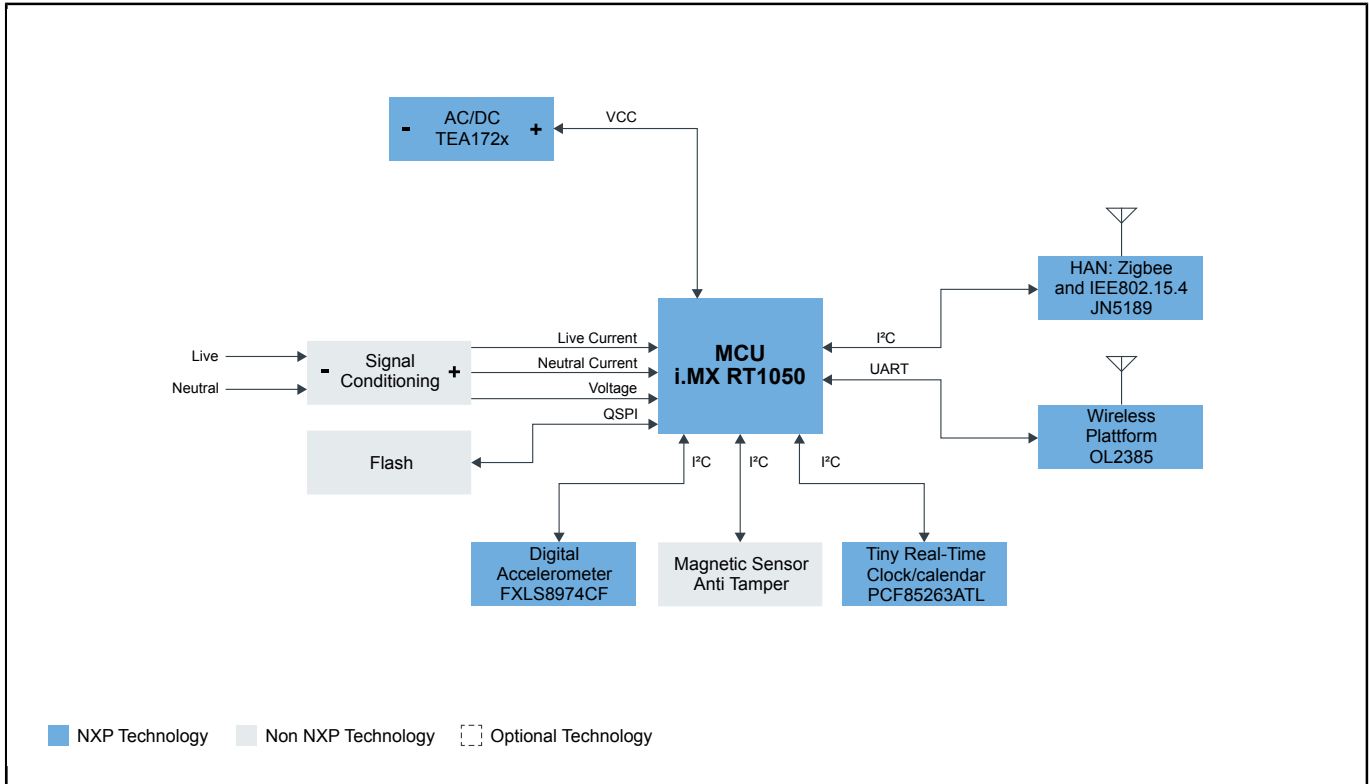
Low-End Version Block Diagram



Mid-End Version Block Diagram



High-End Version Block Diagram



View additional information for [Smart Electricity Meter](#).

Note: The information on this document is subject to change without notice.

www.nxp.com

NXP and the NXP logo are trademarks of NXP B.V. All other product or service names are the property of their respective owners. The related technology may be protected by any or all of patents, copyrights, designs and trade secrets. All rights reserved. © 2023 NXP B.V.