



Smart Gas/Water Meter

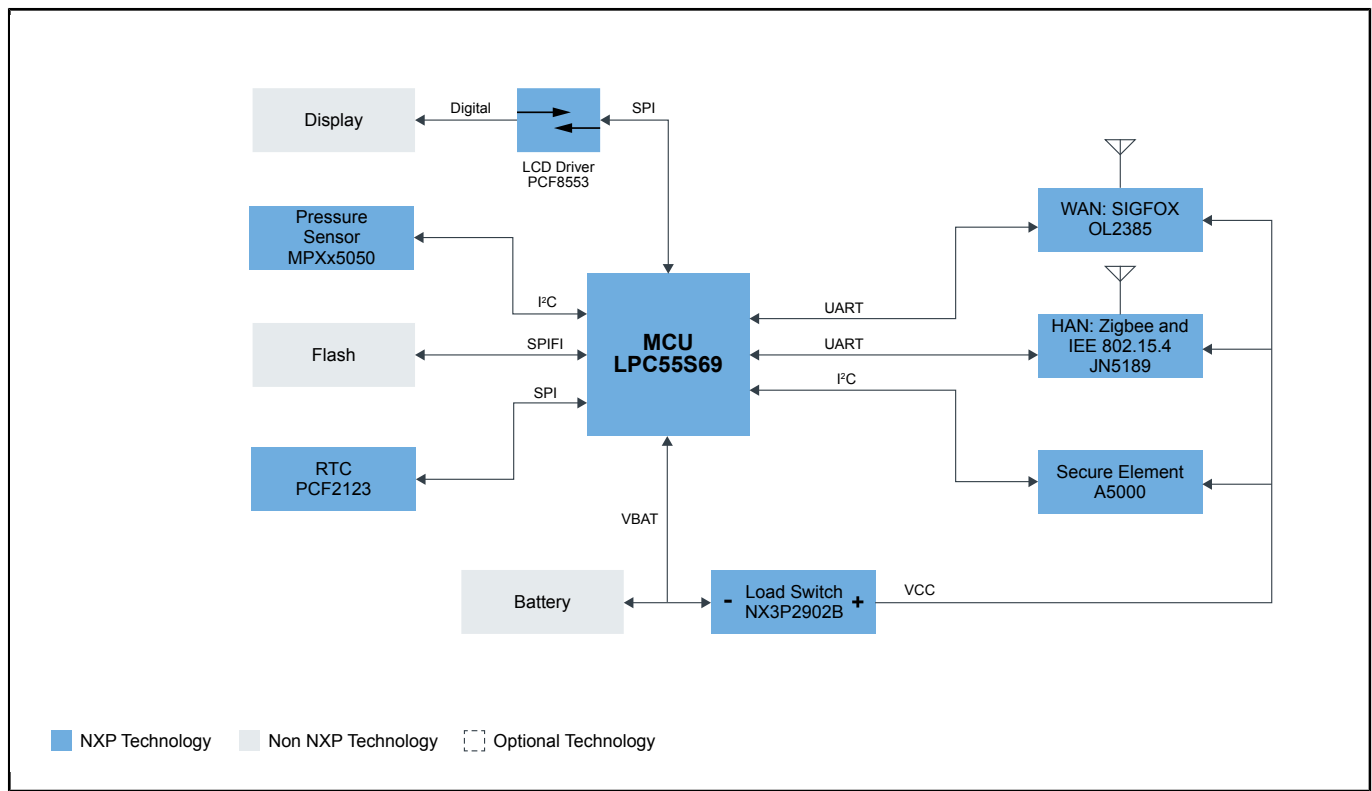
SMART-GAS-WATER-METER

Last Updated: Apr 23, 2024

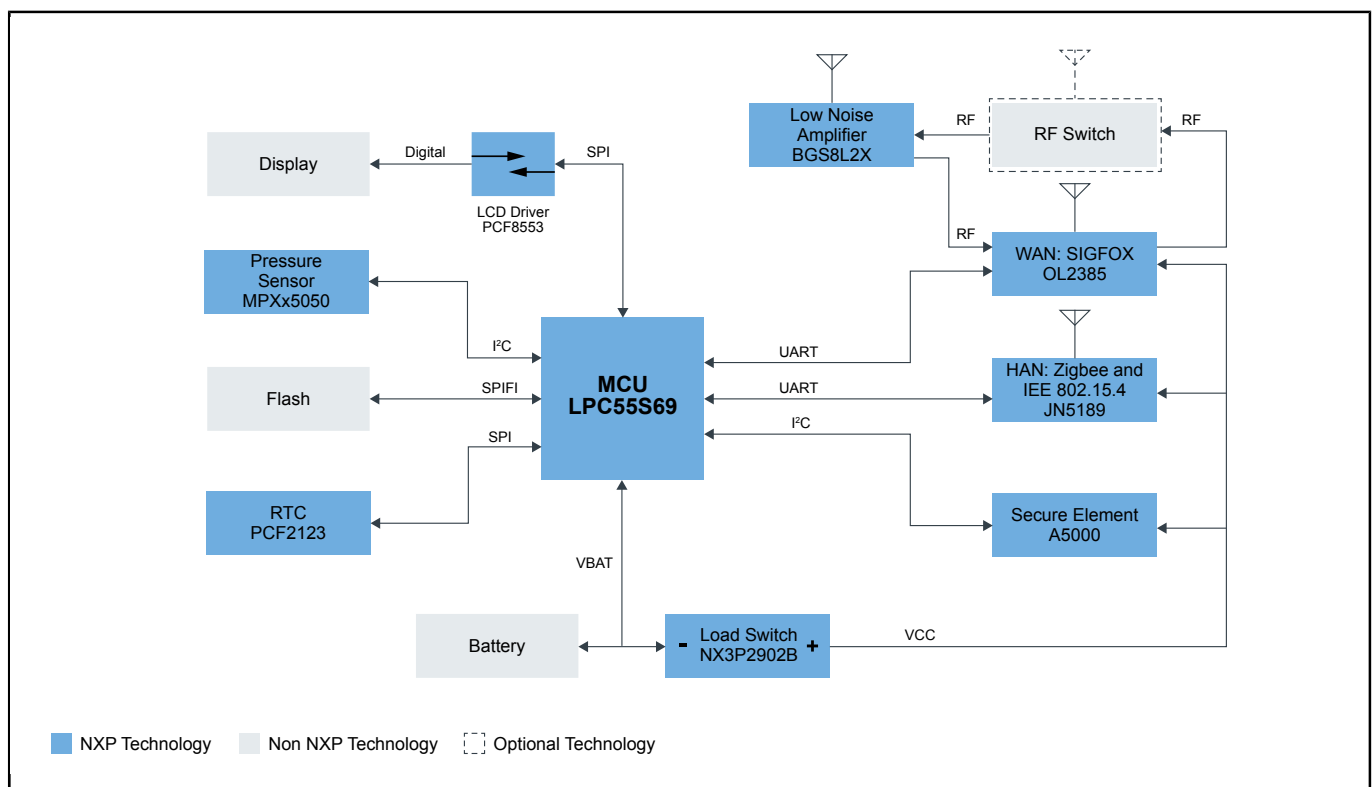
NXP connectivity solutions for smart metering address the challenges Smart Cities face for reliable, secure communications for remote metering and home energy management. Gas and Water meters are used in every establishment that consumes fuel gas and with water supply such as commercial, residential, and industrial. Flow meters help Smart Cities measure the volume of gas at a specific time or over a long period. The measurement is then displayed on low-power segment LCDs, often driven by segment LCD drivers on an MCU.

Advanced flow meters incorporate RF communication interfaces for connecting to one-way or two-way RF meter reading systems.

LPC basic Sigfox Block Diagram



LPC Long range Sigfox Block Diagram



View additional information for [Smart Gas/Water Meter](#).

Note: The information on this document is subject to change without notice.

www.nxp.com

NXP and the NXP logo are trademarks of NXP B.V. All other product or service names are the property of their respective owners. The related technology may be protected by any or all of patents, copyrights, designs and trade secrets. All rights reserved. © 2024 NXP B.V.