



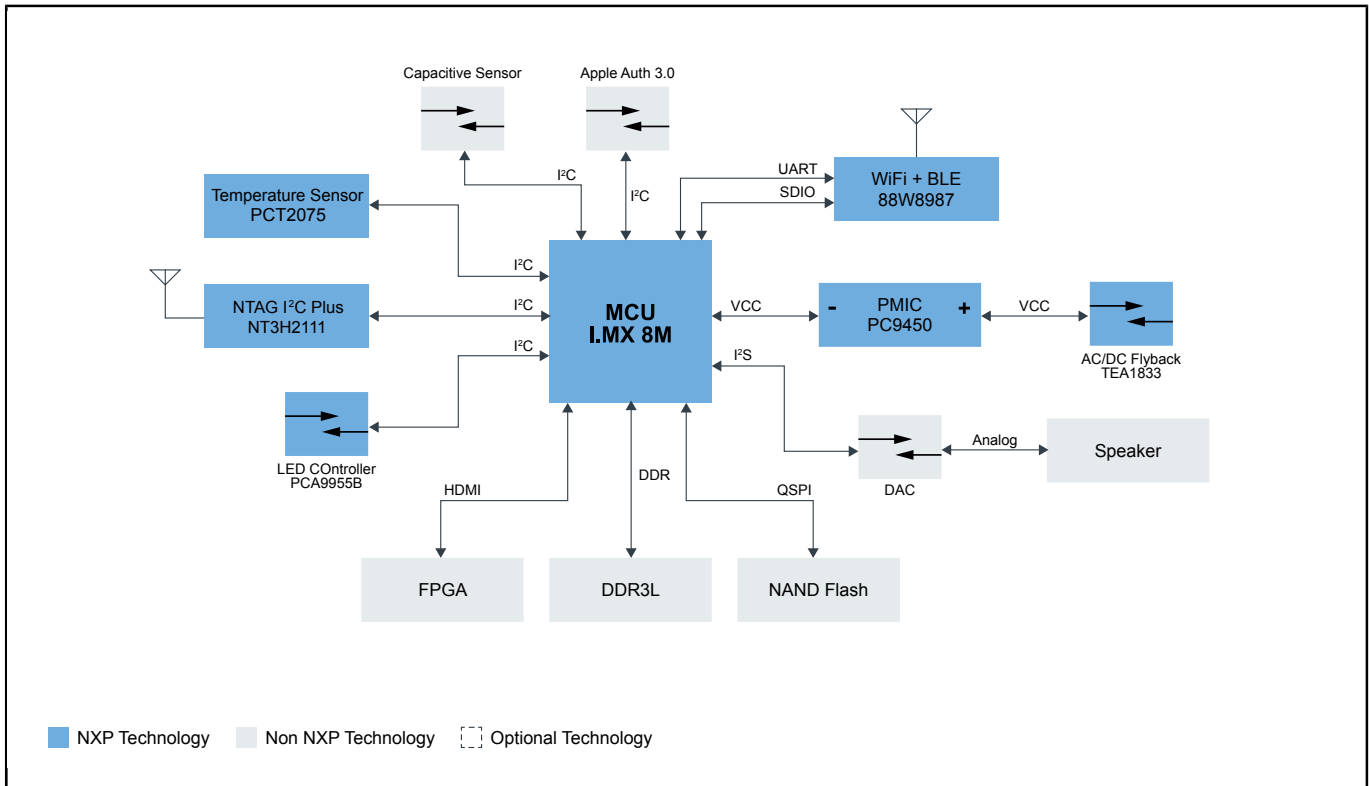
Smart Speaker

SMART-SPEAKER-BLOCK-DIAGRAM

Last Updated: Oct 5, 2022

NXP smart speaker is a high-efficiency boosted Class-D audio amplifier with a sophisticated SpeakerBoost acoustic enhancement and Protection algorithm in on-Chip DSP with temperature and excursion protection. The internal adaptive DC-to-DC converter raises the power supply voltage, providing ample headroom for major improvements in sound quality.

Smart Speaker Block Diagram



View additional information for [Smart Speaker](#).

Note: The information on this document is subject to change without notice.

www.nxp.com

NXP and the NXP logo are trademarks of NXP B.V. All other product or service names are the property of their respective owners. The related technology may be protected by any or all of patents, copyrights, designs and trade secrets. All rights reserved. © 2023 NXP B.V.