



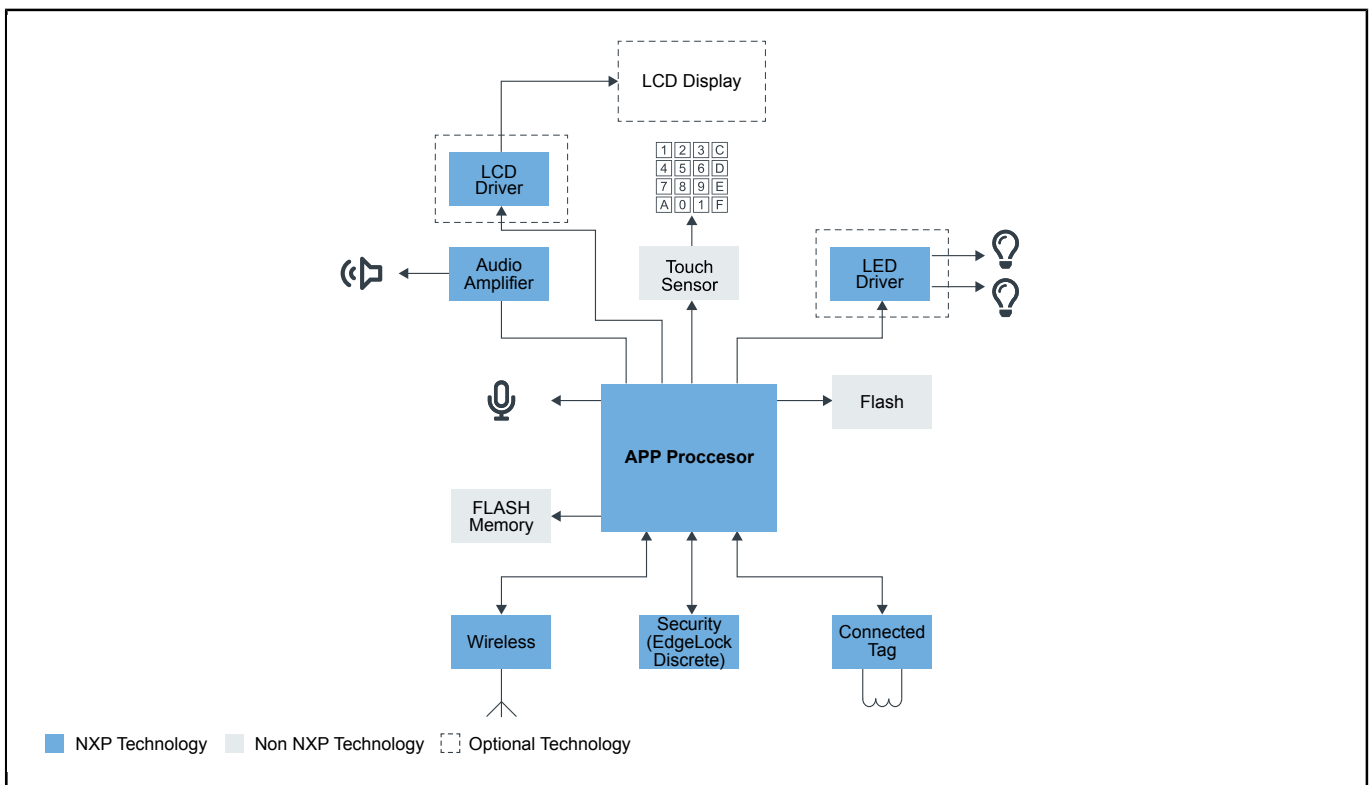
# Set Top Boxes

Last Updated: Oct 12, 2022

Set-top-boxes range from very simple audio and video gateways to complex information gateways. NXP offers the right products to create and connect in parallel different types of set-top-boxes.

- Support for FullHD and 4K video.
- Support for 5.1 Dolby ATMOS audio
- Support for S/PDIF to directly connect a speaker array.
- NXP's zero power loop-through switches enable TV reception
- ESD protections for HDMI, USB and SATA.
- Wireless connectivity including WiFi and Bluetooth Low Energy.
- Content access secure authentication
- Voice-enabled remote control

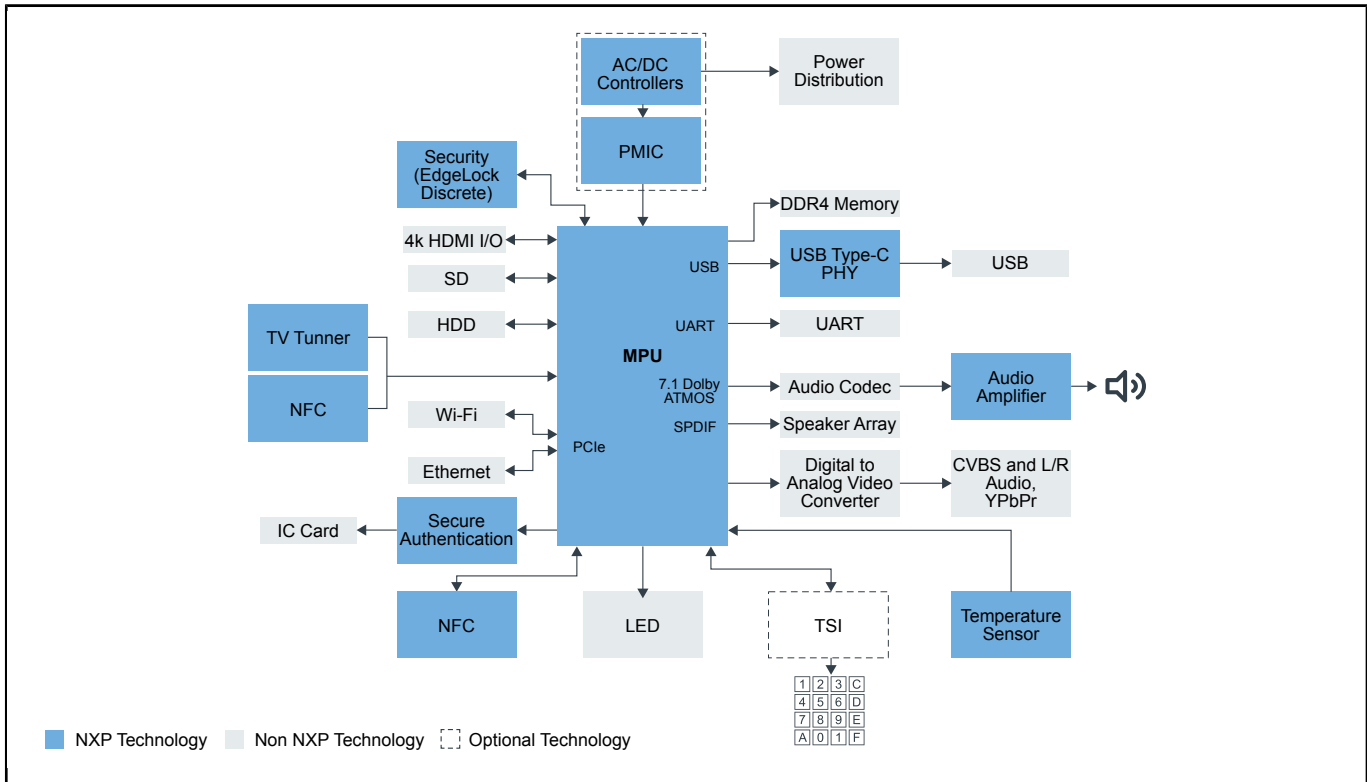
## Single Tuner Block Diagram



### Recommended Products for Single Tuner

MPU	<ul style="list-style-type: none"> <li>• <a href="#">i.MX RT1060 Crossover MCU with Arm® Cortex®-M7 Core</a></li> </ul>
Wireless	<ul style="list-style-type: none"> <li>• <a href="#">KW41Z: Kinetis® KW41Z-2.4 GHz Dual Mode: Bluetooth® Low Energy and 802.15.4 Wireless Radio Microcontroller (MCU) based on Arm® Cortex®-M0+ Core</a></li> <li>• <a href="#">88W8897: 2.4/5 GHz Dual-Band 2x2 Wi-Fi® 5 (802.11ac) + Bluetooth® 5.0 Solution</a></li> <li>• <a href="#">QN9020/21/22 - Ultra-Low-Power Bluetooth LE System-On-Chip Solution</a></li> </ul>
Security (EdgeLock Discrete)	<ul style="list-style-type: none"> <li>• <a href="#">EdgeLock® SE050: Plug and Trust Secure Element Family – Enhanced IoT security with high flexibility</a></li> </ul>
Connected Tag	<ul style="list-style-type: none"> <li>• <a href="#">NTAG I²C Plus 2K: NFC Forum Type 2 Tag with I²C Interface</a></li> </ul>
LED Driver (Voice Control Remote)	<ul style="list-style-type: none"> <li>• <a href="#">PCA9955BTW: 16-Channel Fm+ I²C-Bus 57 mA/20 V Constant-Current LED Driver</a></li> </ul>
LCD Driver	<ul style="list-style-type: none"> <li>• <a href="#">PCF85176: 40 X 4 Universal LCD Driver for Low Multiplex Rates</a></li> </ul>
Audio Amplifier	<ul style="list-style-type: none"> <li>• <a href="#">TFA9879HN: Mono BTL Class D Audio Amplifier for Portable Applications with Digital Input</a></li> </ul>

### Multi Tuner Block Diagram



### Recommended Products for Multi Tuner

SoC	<ul style="list-style-type: none"> <li>• <a href="#">i.MX 8M Family - Arm® Cortex®-A53, Cortex-M4, Audio, Voice, Video</a></li> </ul>
Secure Authentication	<ul style="list-style-type: none"> <li>• <a href="#">SmartMX2 P60: Single/Dual Contact Interface Controllers</a></li> </ul>
AC/DC	<ul style="list-style-type: none"> <li>• <a href="#">TEA1721DT</a>: HV Start-up Flyback Controller with Integrated MOSFET for 5 W Applications, F~Burst = 1270 Hz</li> <li>• <a href="#">TEA1723DT</a>: HV Start-up Flyback Controller with Integrated MOSFET for 11 W Applications, F~Burst = 1270 Hz</li> </ul>
PMIC	<ul style="list-style-type: none"> <li>• <a href="#">PF1550</a>: PMIC with 1A Li+ Linear Battery Charger for Low Power Processor Systems</li> </ul>
TV Tuner	<ul style="list-style-type: none"> <li>• <a href="#">TDA18250_18254</a>: Cable Silicon Tuner</li> </ul>
USB Type C PHY	<ul style="list-style-type: none"> <li>• <a href="#">PTN5100D</a>: USB Type-C PD PHY and Protocol IC, SPI for Dongles</li> </ul>
Temperature Sensor	<ul style="list-style-type: none"> <li>• <a href="#">PCT2075</a>: I<sup>2</sup>C-Bus Fm+, 1 Degree C Accuracy, Digital Temperature Sensor And Thermal Watchdog</li> </ul>
NFC	<ul style="list-style-type: none"> <li>• <a href="#">PN7160</a>: NFC Plug and Play Controller with Integrated Firmware and NCI Interface</li> </ul>
Audio Amplifier	<ul style="list-style-type: none"> <li>• <a href="#">TFA9879HN</a>: Mono BTL Class D Audio Amplifier for Portable Applications with Digital Input</li> </ul>
Security (EdgeLock Discrete)	<ul style="list-style-type: none"> <li>• <a href="#">EdgeLock® SE050: Plug and Trust Secure Element Family – Enhanced IoT security with high flexibility</a></li> <li>• <a href="#">EdgeLock® SE051: Proven, Easy-to-Use IoT Security Solution with Support for Updatability and Custom Applets</a></li> <li>• <a href="#">EdgeLock® A5000 Plug and Trust Secure Authenticator: Authentication Made Secure, Scalable and Easy</a></li> </ul>

View our complete solution for [Set Top Boxes](#).

**Note:** The information on this document is subject to change without notice.

---

**www.nxp.com**

NXP and the NXP logo are trademarks of NXP B.V. All other product or service names are the property of their respective owners. The related technology may be protected by any or all of patents, copyrights, designs and trade secrets. All rights reserved. © 2023 NXP B.V.