



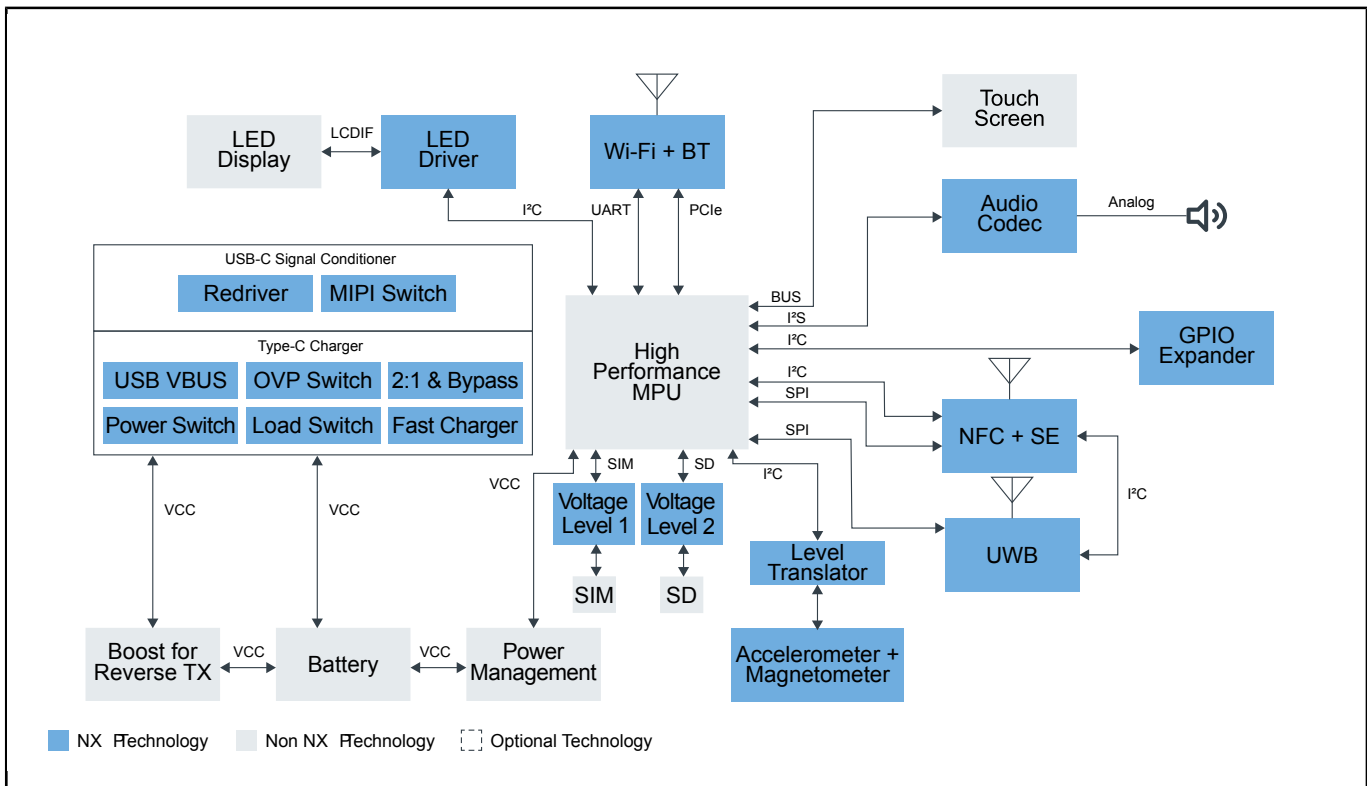
# Smartphone

Last Updated: Jan 7, 2022

NXP innovations bring a variety of future capabilities and applications to mobile devices as they become the smarthub of daily digital life. NXP portfolio offers secure mobile wallet solutions, eSIM connectivity and UWB enablement for mobile devices.

Delivering data rates up to 10 Gbit/s and up to 100W of power, USB Type-C offers a connector that’s perfectly tailored for emerging product designs—offering rich interface capabilities with “Alternate Mode” support. It also enables fully reversible plug orientation and cable direction, making USB Type-C far more convenient for consumers and helping deliver a true Plug-and-Play experience.

## Smartphone Block Diagram



### Recommended Products for Smartphone

Type C charger	<ul style="list-style-type: none"> <li>• <a href="#">NX5P2924BUK</a>: Logic-Controlled High-Side Power Switch</li> <li>• <a href="#">NX30P6093</a>: High-Voltage I<sup>2</sup>C Controlled Overvoltage Protection Load Switch</li> <li>• <a href="#">NX20P3483UK</a>: USB PD and Type-C High-Voltage Sink/Source Combo Switch with Protection</li> <li>• <a href="#">NX30P0121UK</a>: High-Voltage Back-to-Back OVP Switch with Current Sense</li> </ul>
Voltage Level 1	<ul style="list-style-type: none"> <li>• <a href="#">NVT4557</a>: SIM Card Interface Level Translator with EMI Filter and ESD Protection</li> </ul>

Voltage Level 2	<ul style="list-style-type: none"> <li>• <a href="#">NVT4858</a>: SD, SDIO, Mini SD, Micro SD and SIM Card Voltage Level Translator with EMI Filter and ESD Protection</li> </ul>
USB C Signal	<ul style="list-style-type: none"> <li>• <a href="#">PTN36502</a>: Type-C USB 3.1 Gen 1 and DisplayPort V1.2 Combo Redriver</li> <li>• <a href="#">NX3DV642GU</a>: Three-Lane High-Speed MIPI-Compatible Switch</li> </ul>
Wireless	<ul style="list-style-type: none"> <li>• <a href="#">88W8997</a>: 2.4/5 GHz Dual-Band 2x2 Wi-Fi® 5 (802.11ac) + Bluetooth® 5.3 Solution</li> </ul>
LED Driver	<ul style="list-style-type: none"> <li>• <a href="#">PCA9632</a>: 4-Bit Fm+ I<sup>2</sup>C-Bus Low-Power LED Driver</li> </ul>
RTC	<ul style="list-style-type: none"> <li>• <a href="#">FXOS8700CQ</a>: Digital Motion Sensor - 3D Accelerometer (±2g/±4g/±8g) + 3D Magnetometer</li> </ul>
Audio Codec	<ul style="list-style-type: none"> <li>• <a href="#">SGTL5000</a>: Ultra-Low-Power Audio Codec</li> </ul>
GPIO Expander	<ul style="list-style-type: none"> <li>• <a href="#">PCAL6408A</a>: Low-Voltage Translating, 8-Bit I<sup>2</sup>C-Bus/SMBus I/O Expander</li> </ul>
Level Translator	<ul style="list-style-type: none"> <li>• <a href="#">PCA9306</a>: Dual Bidirectional I<sup>2</sup>C-Bus and SMBus Voltage-Level Translator</li> <li>• <a href="#">P3A9606</a>: Dual Bidirectional I<sup>3</sup>C/I<sup>2</sup>C-Bus and SPI Voltage-Level Translator</li> </ul>
UWB	<ul style="list-style-type: none"> <li>• <a href="#">Trimension™ SR150: Secure UWB Solution for IoT Devices</a></li> </ul>
USB C Signal	<ul style="list-style-type: none"> <li>• <a href="#">PTN36502</a>: Type-C USB 3.1 Gen 1 and DisplayPort V1.2 Combo Redriver</li> <li>• <a href="#">NX3DV642GU</a>: Three-Lane High-Speed MIPI-Compatible Switch</li> </ul>
Type C charger	<ul style="list-style-type: none"> <li>• <a href="#">NX5P2924BUK</a>: Logic-Controlled High-Side Power Switch</li> <li>• <a href="#">NX30P6093</a>: High-Voltage I<sup>2</sup>C Controlled Overvoltage Protection Load Switch</li> <li>• <a href="#">NX20P3483UK</a>: USB PD and Type-C High-Voltage Sink/Source Combo Switch with Protection</li> <li>• <a href="#">NX30P0121UK</a>: High-Voltage Back-to-Back OVP Switch with Current Sense</li> </ul>
Type C charger	<ul style="list-style-type: none"> <li>• <a href="#">NX5P2924BUK</a>: Logic-Controlled High-Side Power Switch</li> <li>• <a href="#">NX30P6093</a>: High-Voltage I<sup>2</sup>C Controlled Overvoltage Protection Load Switch</li> <li>• <a href="#">NX20P3483UK</a>: USB PD and Type-C High-Voltage Sink/Source Combo Switch with Protection</li> <li>• <a href="#">NX30P0121UK</a>: High-Voltage Back-to-Back OVP Switch with Current Sense</li> </ul>
Type C charger	<ul style="list-style-type: none"> <li>• <a href="#">NX5P2924BUK</a>: Logic-Controlled High-Side Power Switch</li> <li>• <a href="#">NX30P6093</a>: High-Voltage I<sup>2</sup>C Controlled Overvoltage Protection Load Switch</li> <li>• <a href="#">NX20P3483UK</a>: USB PD and Type-C High-Voltage Sink/Source Combo Switch with Protection</li> <li>• <a href="#">NX30P0121UK</a>: High-Voltage Back-to-Back OVP Switch with Current Sense</li> </ul>
Type C charger	<ul style="list-style-type: none"> <li>• <a href="#">NX5P2924BUK</a>: Logic-Controlled High-Side Power Switch</li> <li>• <a href="#">NX30P6093</a>: High-Voltage I<sup>2</sup>C Controlled Overvoltage Protection Load Switch</li> <li>• <a href="#">NX20P3483UK</a>: USB PD and Type-C High-Voltage Sink/Source Combo Switch with Protection</li> <li>• <a href="#">NX30P0121UK</a>: High-Voltage Back-to-Back OVP Switch with Current Sense</li> </ul>
Type C charger	<ul style="list-style-type: none"> <li>• <a href="#">NX5P2924BUK</a>: Logic-Controlled High-Side Power Switch</li> <li>• <a href="#">NX30P6093</a>: High-Voltage I<sup>2</sup>C Controlled Overvoltage Protection Load Switch</li> <li>• <a href="#">NX20P3483UK</a>: USB PD and Type-C High-Voltage Sink/Source Combo Switch with Protection</li> <li>• <a href="#">NX30P0121UK</a>: High-Voltage Back-to-Back OVP Switch with Current Sense</li> </ul>

View our complete solution for [Smartphone](#).

**Note:** The information on this document is subject to change without notice.

---

**[www.nxp.com](http://www.nxp.com)**

NXP and the NXP logo are trademarks of NXP B.V. All other product or service names are the property of their respective owners. The related technology may be protected by any or all of patents, copyrights, designs and trade secrets. All rights reserved. © 2021 NXP B.V.