



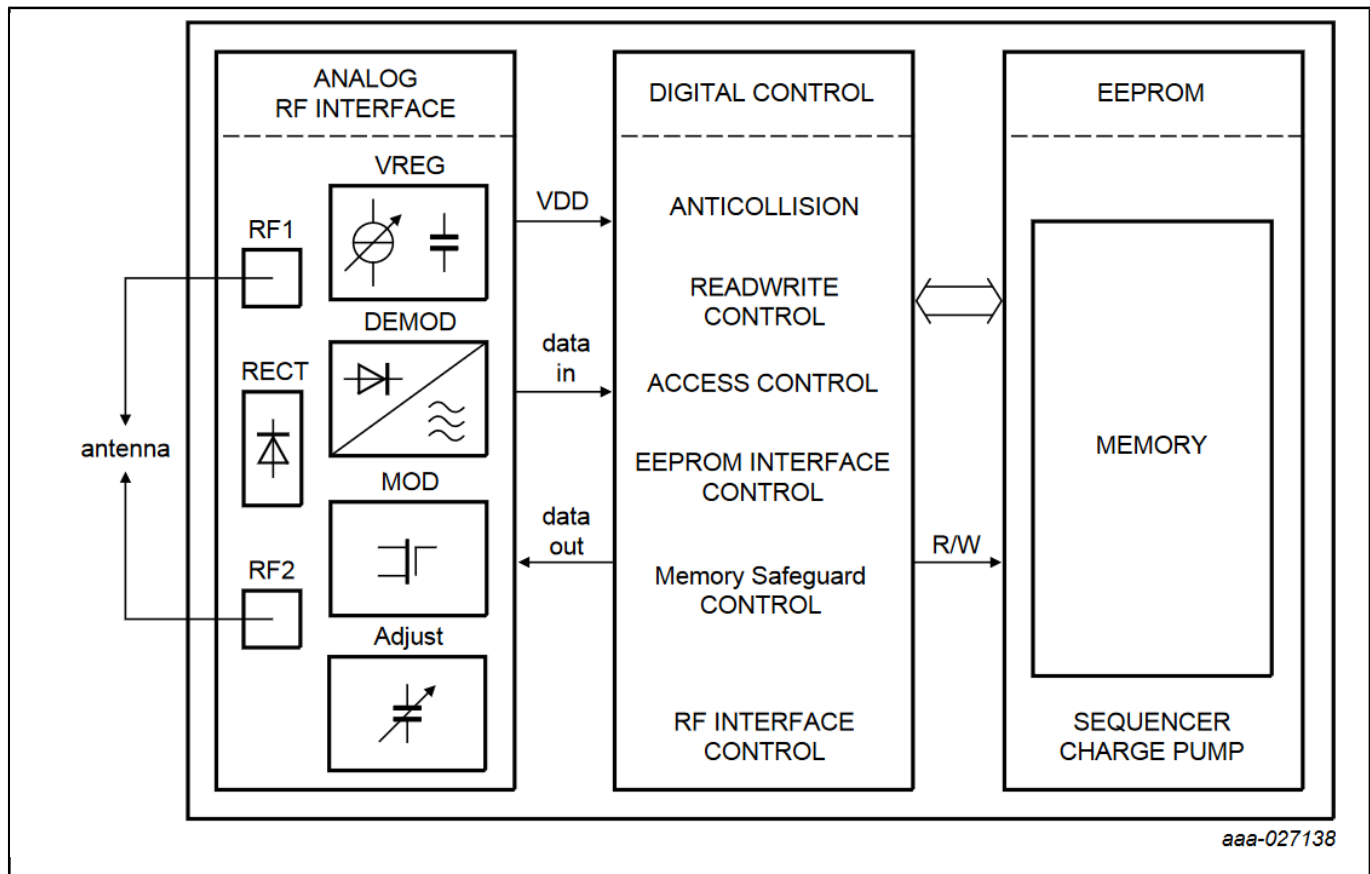
Home Automation Modem

TDA5051AT

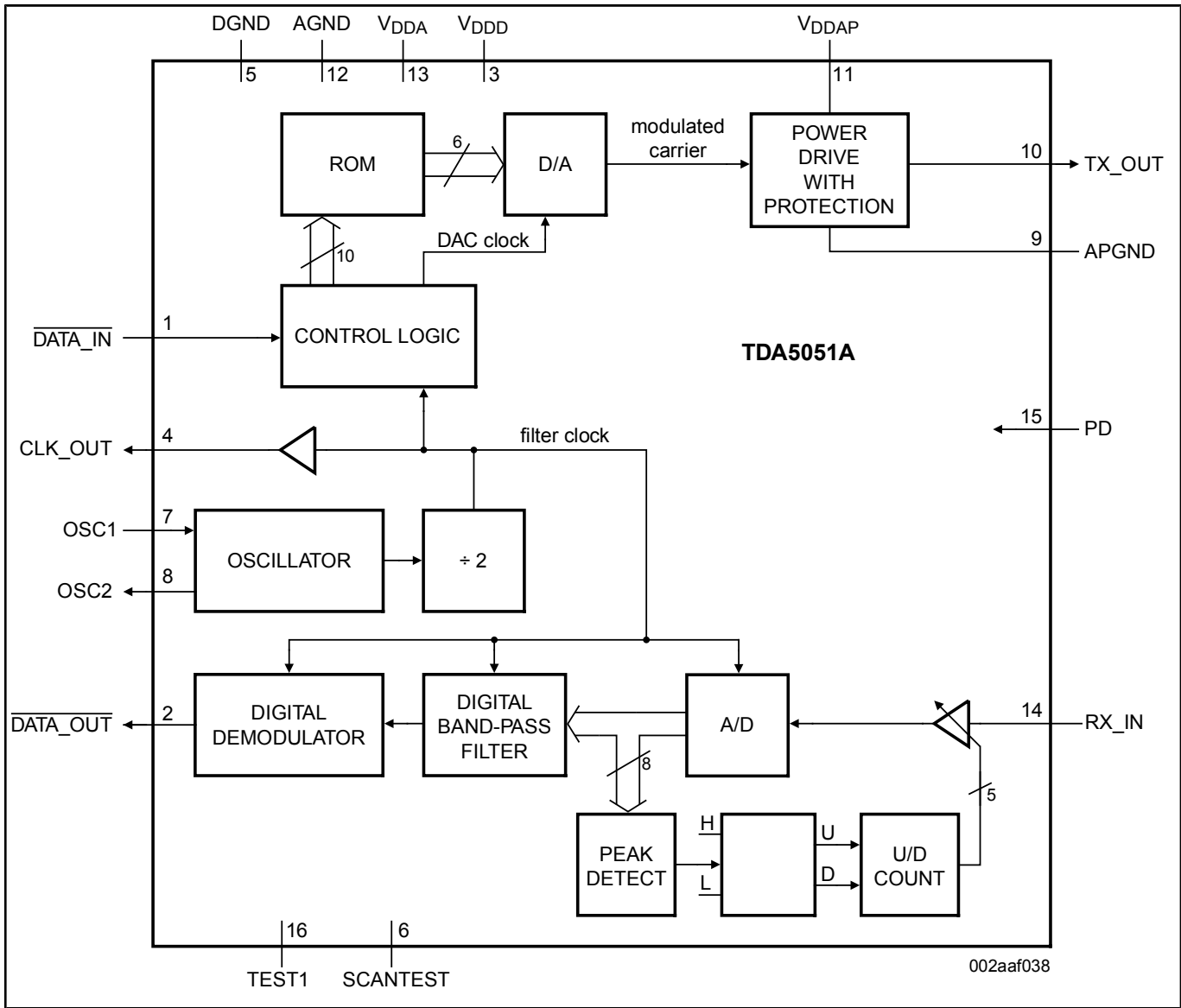
Last Updated: Jan 31, 2024

The TDA5051A is a modem IC, specifically dedicated to ASK transmission by means of the home power supply network, at 600 baud or 1200 baud data rate. It operates from a single 5 V supply.

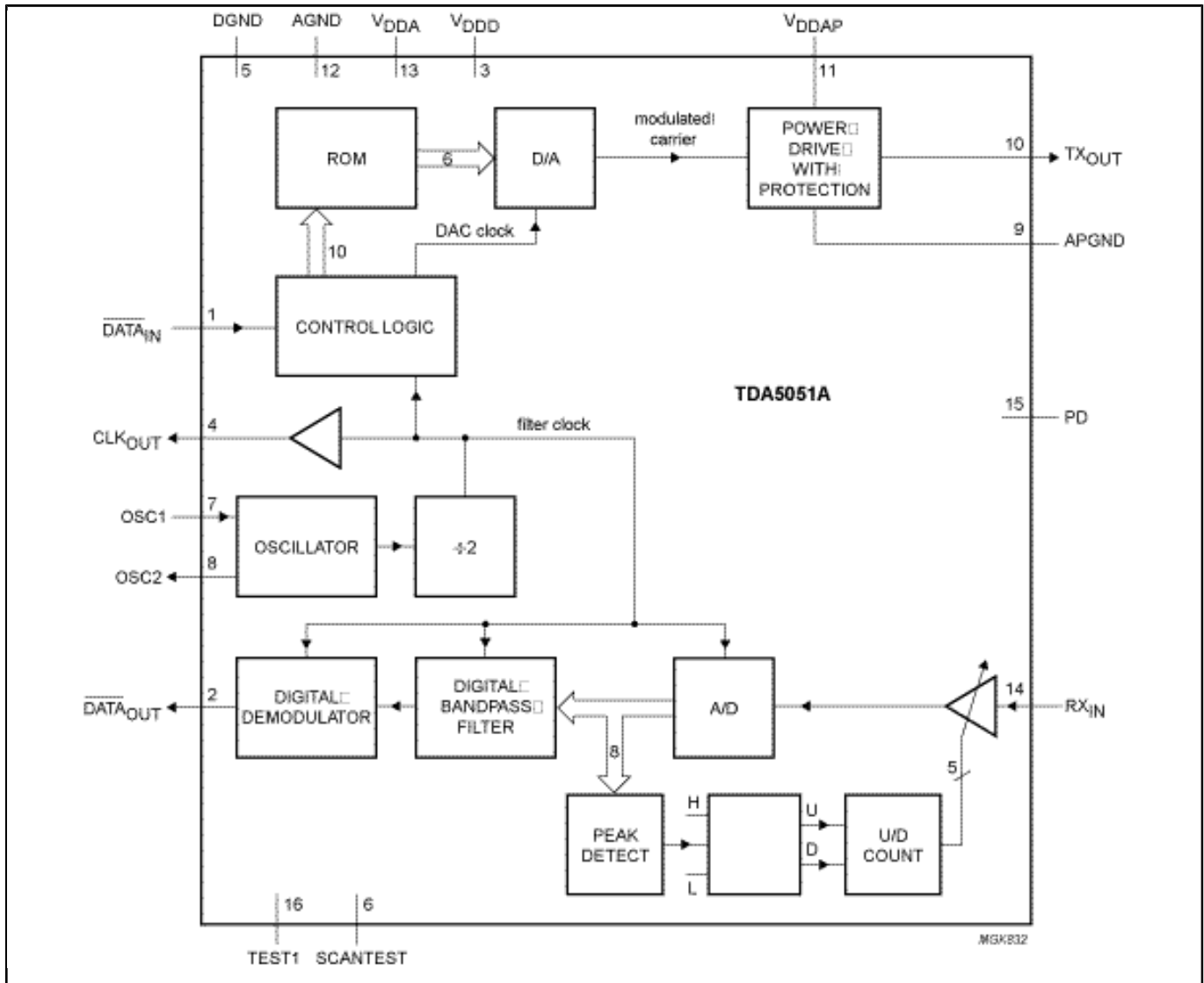
UCODE 8/8m Block Diagram Block Diagram



TDA5051A Block Diagram Block Diagram



TDA5051A Block Diagram Block Diagram



View additional information for [Home Automation Modem](#).

Note: The information on this document is subject to change without notice.

www.nxp.com

NXP and the NXP logo are trademarks of NXP B.V. All other product or service names are the property of their respective owners. The related technology may be protected by any or all of patents, copyrights, designs and trade secrets. All rights reserved. © 2024 NXP B.V.