



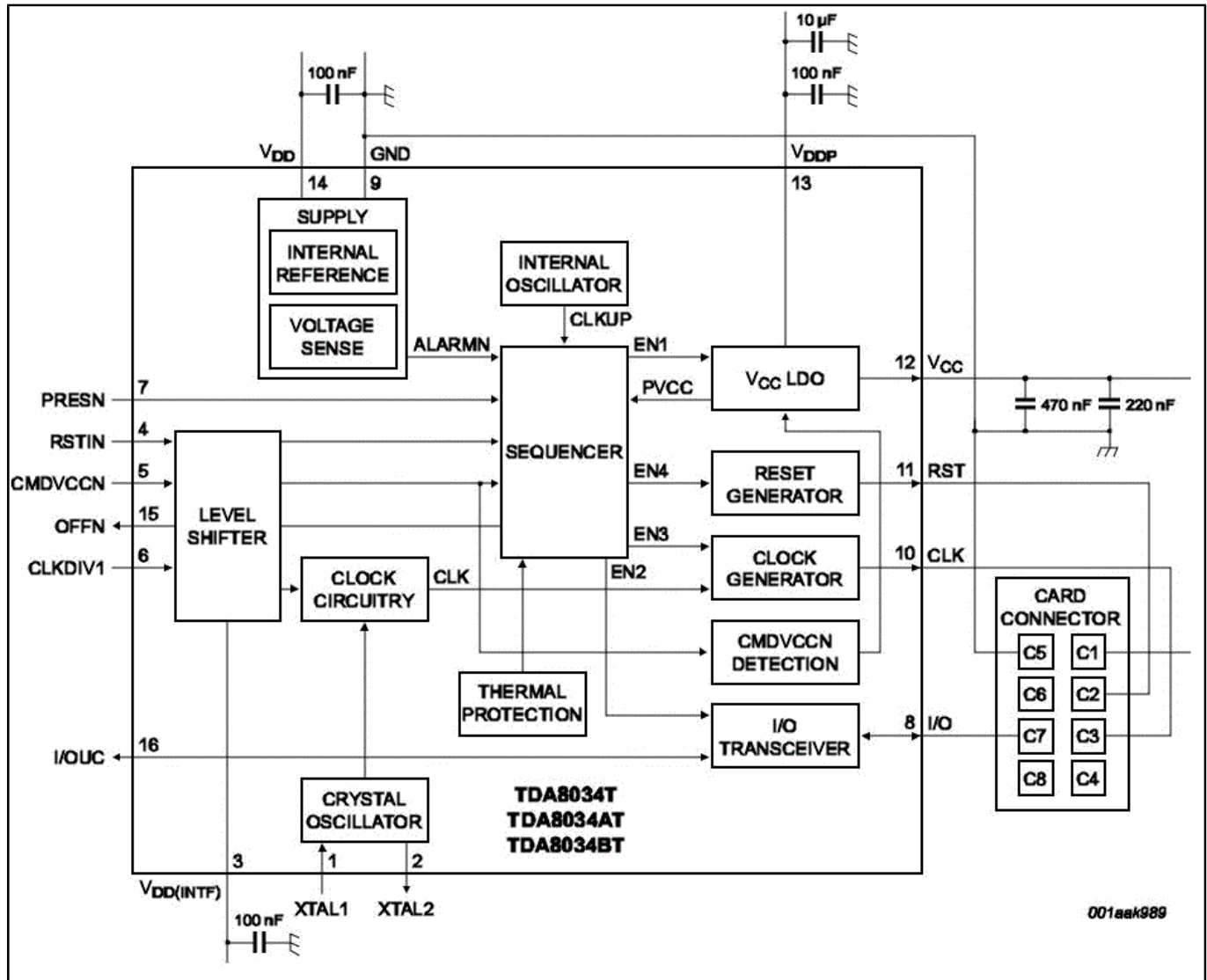
# Low-Power Smart Card Interface

## TDA8034AT

Last Updated: Dec 17, 2024

The TDA8034T/TDA8034AT is a cost-effective analog interface for asynchronous and synchronous smart cards operating at 5 V or 3 V. Using few external components, the TDA8034T/TDA8034AT provides all supply, protection and control functions between a smart card and the microcontroller.

# TDA8034T/AT: Block diagram Block Diagram



View additional information for [Low-Power Smart Card Interface](#).

Note: The information on this document is subject to change without notice.

[www.nxp.com](http://www.nxp.com)

NXP and the NXP logo are trademarks of NXP B.V. All other product or service names are the property of their respective owners. The related technology may be protected by any or all of patents, copyrights, designs and trade secrets. All rights reserved. © 2025 NXP B.V.